

**Electronic Chart Display and
Information System
for Inland Navigation
(Inland ECDIS)**

Edition 2.3

Edition overview

Edition	Date	Description
1.0	31.5.2001	Adoption by CCNR
1.01	29.11.2001	Adoption by CCNR
1.02	16.10.2003	Amendments adopted by the CCNR Police Regulations Committee
2.0	23.11.2006	Adoption by CCNR
2.3	28.10.2011	Adoption by the CCNR Police Regulations Committee
2.3		Becoming into force ¹

Each document version is identified bottom left on each page.

¹ Foreseen at the same date as the specifications according to Directive 2005/44/EC.

CONTENTS

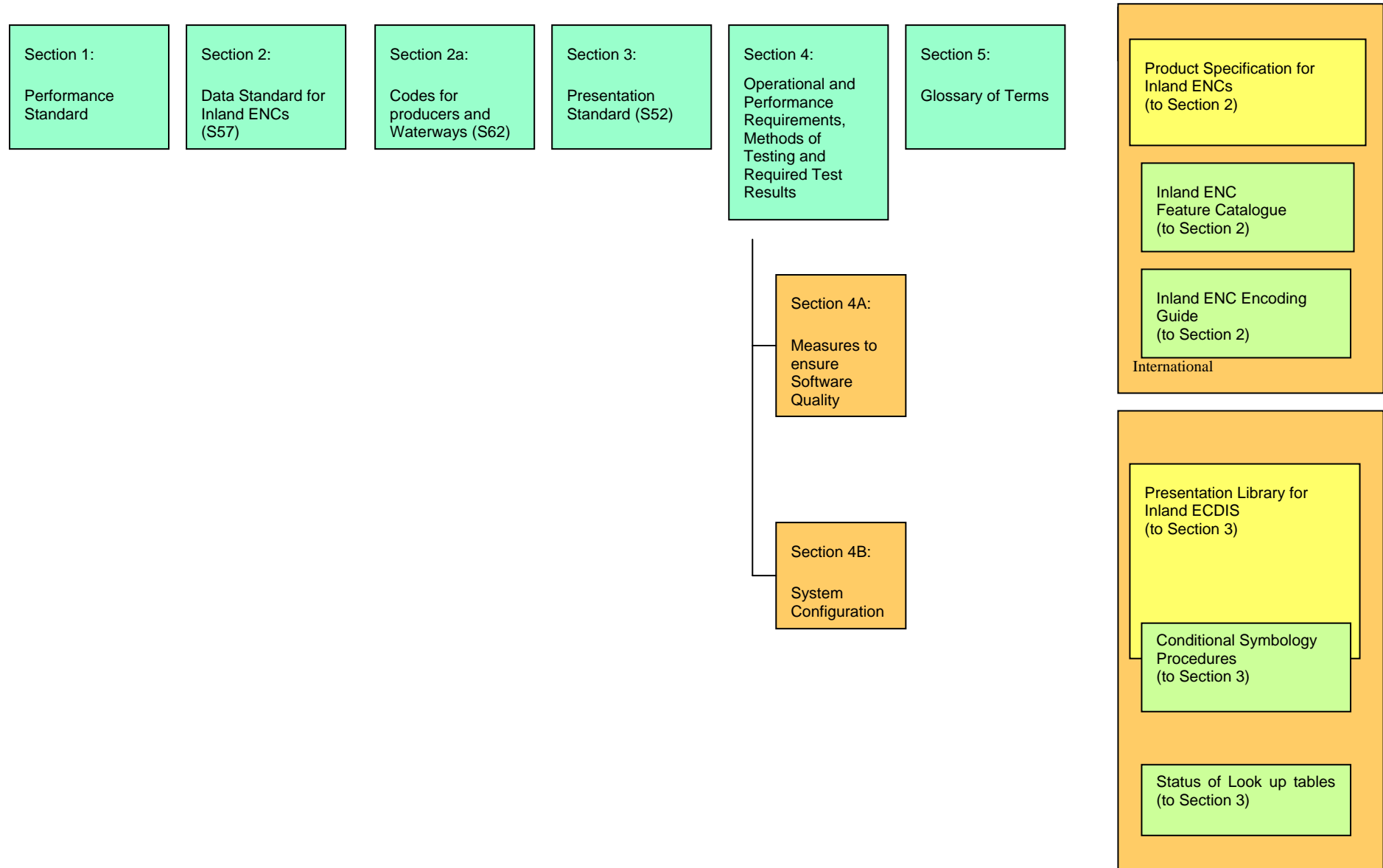
SECTION 1: PERFORMANCE STANDARD FOR INLAND ECDIS	11
1. Introduction	11
2. Definitions	11
2.1 Terms	11
2.2 References	12
3. Contents, provision and updating of chart information	13
3.1 Contents and provision of Inland ENC's	13
3.2 Updates	13
4. Presentation of information	14
4.1 Display requirements	14
4.2 Display ranges (scales)	14
4.3 Image positioning and orientation	14
4.4 Display of SENC information	14
4.5 Display of radar information	15
4.6 Display of other navigational information	15
4.7 Colours and symbols	16
4.8 Data and display accuracy	16
5. Operation	16
5.1 Information mode	16
5.2 Navigation mode	18
5.3 Operation and control elements	19
6. Connections with other equipment	20
7. Indications and alarms	20
7.1 Built in Test Equipment (BITE)	20
7.2 Malfunctions	20
8. Fallback arrangements	20
8.1 Insufficient accuracy of the SENC-positioning	20
8.2 Defects	20
9. Power supply in navigation mode	20

SECTION 2: DATA STANDARD FOR INLAND ENCS	21
1. Introduction	21
2. Theoretical data model	21
3. Data structure	21
4. Product specification for Inland ENCs	21
5. Definitions	22
6. Procedures for changes of the appendices	22
SECTION 2A: CODES FOR PRODUCERS AND WATERWAYS (IN ADDITION TO IHO-S-62 ENC PRODUCER CODES)	25
SECTION 3: PRESENTATION STANDARD FOR INLAND ECDIS	29
1. Introduction	29
2. The Presentation Library for Inland ECDIS	29
2.1 Components of S-52 and Inland ECDIS Presentation Library	29
2.2 Look-up tables	30
2.3 Conditional symbology procedures (CS)	31
2.4 Colours	31
2.5 Presentation of notice marks	31
3. Procedures for changes of the appendices	32
SECTION 4: OPERATIONAL AND PERFORMANCE REQUIREMENTS, METHODS OF TESTING AND REQUIRED TEST RESULTS	33
1. Introduction	33
1.1 Subject matter of this Section	33
1.2 Normative references	33
2. Operating modes and system configuration	33
2.1 Operating modes	33
2.2 System configurations	34
2.2.1 Inland ECDIS equipment, stand-alone-system without connection to radar	34
2.2.2 Inland ECDIS equipment, parallel installation and connection to radar	34
2.2.3 Inland ECDIS equipment, monitor shared with connected radar equipment	34
2.2.4 Radar equipment with integrated Inland ECDIS functionality	34
3. Performance requirements	34
3.1 Hardware performance	34
3.2 Software performance	34
3.3 Performance of operation controls	35
3.4 Display performance	35
3.4.1 Display dimensions	35
3.4.2 Display orientation	35
3.4.3 Display resolution	35
3.4.4 Display colours	35
3.4.5 Display brilliance	35
3.4.6 Picture renewal	35
3.4.7 Display technology	36

4.	Operational functions	36
4.1	Operating mode	36
4.2	Equipment pre-sets (store/recall)	36
4.3	Presentation of SENC information	36
4.4	Chart orientation, positioning and shifting	36
4.5	Position and bearing of the own ship	36
4.6	Information density	37
4.7	Ranges/Range rings	37
4.8	Picture brilliance	37
4.9	Picture colours	38
4.10	Pick report	38
4.11	Measuring features	38
4.12	Input and editing of skippers' own chart entries	38
4.13	Loading and updating of SENC's	38
4.14	Radar picture presentation and overlay	38
4.15	Inland ECDIS functions with immediate access	39
4.16	Permanently visible function parameters	39
5.	Service functions	39
5.1	Static correction of the chart position	39
5.2	Static correction of the chart orientation	40
5.3	Configuration of interfaces	40
6.	Hardware test and required certificates	40
6.1	Compatibility with the environmental requirements	40
6.2	Equipment documentation	40
6.3	Interfaces	40
6.4	Characteristic of operation controls	40
6.5	Characteristic of the display	40
7.	Test of the chart presentation, operation and functionality	41
7.1	Preparation of the Equipment Under Test (EUT)	41
7.2	Test of the operation modes	41
7.3	Test of the displayed features	41
7.4	Test of the scale dependent information density (SCAMIN)	41
7.5	Test of brilliance variation	41
7.6	Test of the colours	41
7.7	Test of the measurement functions	42
7.8	Test of the chart update function	42
7.9	Test of displayed features in more than one cell of the same usage for the same area	42
8.	Test of radar picture presentation and operation	42
8.1	Preparations	42
8.2	Test of the radar picture without under laid chart	43
8.3	Test of the radar picture, overlaid information from other vessels and the underlying chart	43
8.3.1	Test of the radar overlay	43
8.3.2	Test of the chart positioning and orientation	43
8.3.3	Test of scale conformity	44

9.	Test of alarms and indications	44
10.	Test of fall back arrangements	44
SECTION 4A: MEASURES TO ENSURE SOFTWARE QUALITY		45
1.	General requirements	45
1.1	Software design requirements	45
1.2	Implementation requirements	46
1.3	Test requirements	46
1.4	Third party components requirements	46
1.5	Requirements for additional services in navigation mode	46
1.6	Language	46
1.7	Documentation requirements for users	46
2.	Methods of testing and required results	47
2.1	Navigation mode operation test	47
2.1.1	Performance requirements	47
2.1.1.1	Position	47
2.1.1.2	Heading	47
2.1.2	Sensor failure	47
2.1.3	Performance test interface	48
2.2	General software tests	48
2.2.1	Equipment documentation	48
2.2.2	Endurance test	48
3.	Changes to certified systems	49
3.1	General requirements	49
3.2	Hardware and software changes	49
SECTION 4B: SYSTEM CONFIGURATIONS (FIGURES)		51
SECTION 5: GLOSSARY OF TERMS		55
APPENDIX 1	PRODUCT SPECIFICATION FOR INLAND ENCS	
APPENDIX 1.1	INLAND ENC FEATURE CATALOGUE	
APPENDIX 1.2	INLAND ENC ENCODING GUIDE	
APPENDIX 2	PRESENTATION LIBRARY FOR INLAND ECDIS	

Structure of the technical specifications for Inland ECDIS



Comparison of the structures of the standard for (Maritime) ECDIS and of the technical specifications for Inland ECDIS

(Maritime) ECDIS	Inland ECDIS	OPEN ECDIS FORUM http://ienc.openecdis.org
<p>IMO MSC.232(82) revised Performance Standards for ECDIS, December 2006</p> <p>Appendix 1: Reference Documents</p> <p>Appendix 2: SENC Information available for display during route planning and route monitoring</p> <p>Appendix 3: Navigational Elements and Parameters</p> <p>Appendix 4: Areas for which special conditions exist</p> <p>Appendix 5: Alarms and Indicators</p> <p>Appendix 6: Back-up requirements</p> <p>Appendix 7: RCDS mode of operation</p>	<p>Section 1: Performance Standard</p>	
<p>IHO S-57: Transfer Standard for Digital Hydrographic Data, Edition 3.1, Supplement No. 2, June 2009</p> <p>Part 1: General Introduction</p> <p>Part 2: Theoretical Data Model</p> <p>Part 3: Data Structure</p> <p>Appendix A: IHO Object catalogue</p> <p style="padding-left: 20px;">Introduction</p> <p style="padding-left: 20px;">Chapter 1: Object Classes</p> <p style="padding-left: 20px;">Chapter 2: Attributes</p> <p style="padding-left: 20px;">Annex B: Attributes/Object Classes Cross Reference</p> <p>Appendix B: Product specifications</p> <p>Appendix B.1: ENC Product Specification</p> <p style="padding-left: 20px;">Annex A: Use of The Object Catalogue for ENC</p> <p style="padding-left: 20px;">Annex B: Example of CRC Coding</p> <p>Appendix B.2: IHO Object Catalogue Data Dictionary Product Specification</p>	<p>Section 2: Data Standard for Inland ENCs</p>	<p>Inland ENC Feature Catalogue</p> <p>Product Specification for Inland ENCs</p> <p>IENC Encoding Guide</p>

(Maritime) ECDIS	Inland ECDIS	OPEN ECDIS FORUM http://ienc.openecdis.org
IHO S-62 ENC Producer Codes, Edition 2.5, December 2009	Section 2a: Codes for Producers and Waterways	OEF (https://www.openecdis.org): Codes for Producers and Waterways (not part of the Inland ECDIS technical specifications)
<p>IHO S-52 Specification for Chart Content and Display Aspects of ECDIS, Edition 6, March 2010</p> <p>Annex A: IHO ECDIS Presentation Library</p> <p>Annex B: Procedure for initial calibration of colour displays</p> <p>Annex C: Procedure for maintaining the calibration of displays</p> <p>Appendix 1: Guidance on Updating the Electronic Chart</p> <p>Annex A: Definitions and Acronyms</p> <p>Annex B: Current Updating Practice for Paper Charts</p> <p>Annex C: Estimate of Data Volume</p>	Section 3: Presentation Standard	<p>Presentation Library for Inland ECDIS</p> <p>Look-up Tables</p> <p>Symbols</p> <p>Conditional Symbology Procedures</p>
IEC 61174 Edition 3.0: ECDIS - Operational and Performance Requirements, Methods of Testing and Required Test Results, 2008-09	<p>Section 4: Operational and Performance Requirements, Methods of Testing and Required Test Results</p> <p>Section 4A: Measures to Ensure Software Quality</p> <p>Section 4B: System Configurations</p>	
S-32 Appendix 1: Hydrographic Dictionary – Glossary of ECDIS-Related Terms	Section 5: Glossary of Terms	

SECTION 1

PERFORMANCE STANDARD FOR INLAND ECDIS

1. Introduction

- (a) Inland ECDIS contributes to safety and efficiency of inland shipping and thereby to the protection of the environment.
- (b) Inland ECDIS reduces the navigational workload as compared to traditional navigation and information methods.
- (c) Inland ECDIS can be designed for both, **information mode** and **navigation mode**, or for **information mode** only.
- (d) For the **navigation mode** as specified in Section 4 of these technical specifications, Inland ECDIS (Operating System Software, Application Software and Hardware) shall have a high level of reliability and availability; at least of the same level as other means of navigation.
- (e) Inland ECDIS shall use chart information as specified by Sections 2 and 3 of these technical specifications.
- (f) Inland ECDIS shall facilitate simple and reliable updating of the Inland ENC.
- (g) Inland ECDIS shall provide appropriate alarms or indications with respect to the information displayed or malfunction of the equipment.
- (h) Inland ECDIS shall meet the requirements of this performance standard.

2. Definitions

2.1 Terms

These terms and others are also explained in Section 5: Glossary.

For the Inland ECDIS performance standard the following definitions apply:

- (a) **Inland ECDIS** means an electronic chart display and information system for inland navigation, displaying selected information from an Inland System Electronic Navigational Chart (Inland SENC) and, optionally, information from other navigation sensors.
- (b) **Inland Electronic Navigational Chart (IENC)** means the database, standardised as to content, structure and format, issued for use with inland electronic chart display and information systems operated onboard of vessels transiting inland waterways. An IENC is issued by or on behalf of the authority of a competent government agency, and conforms to standards initially developed by the International Hydrographic Organization (IHO) and refined by the Inland ENC Harmonization Group. An IENC contains all the chart information necessary for safe navigation on inland waterways and may contain supplementary information in addition to that contained in the paper chart (e.g. sailing directions, machine-readable operating schedules, etc) which may be considered necessary for safe navigation and voyage planning.

- (c) **Inland System Electronic Navigational Chart (Inland SENC)** means a database resulting from the transformation of the Inland ENC by Inland ECDIS for appropriate use, updates to the Inland ENC by appropriate means and other data added by the skipper. It is this database that is actually accessed by the Inland ECDIS for display generation and other navigational functions. The Inland SENC may also contain information from other sources.
- (d) **Minimum Information Density (display base)** means the minimum amount of SENC information that is presented and which cannot be reduced by the operator, consisting of information that is required at all times in all geographic areas and under all circumstances.
- (e) **Standard Information Density (standard display)** means the default amount of SENC information that shall be visible when the chart is first displayed on Inland ECDIS.
- (f) **All Information Density (all display)** means the maximum amount of SENC information. Here, in addition to the standard display, also all other features are displayed, individually on demand.
- (g) **User-defined settings** mean the possibility to use and store a profile of display and operation controls-settings.
- (h) **Integrated Display** means a head-up, relative-motion picture consisting of the SENC overlaid with the radar-image with matching scale, offset and orientation.
- (i) **Navigation mode** means the use of the Inland ECDIS for conning the vessel with overlaid radar image.
- (j) **Information mode** means the use of the Inland ECDIS for information purposes only without overlaid radar image.

2.2 References

- (a) IHO Special Publication No. S-57 "IHO Transfer Standard for Digital Hydrographic Data", Edition 3.1, Supplement No 2, June 2009
- (b) IHO Special Publication No. S-62 "ENC Producer Codes", Edition 2.5, December 2009
- (c) IHO Special Publication No. S-52 "Specifications for Chart Content and Display Aspects of ECDIS", 6th Edition, March 2010, including S-52 Appendix 1 "Guidance on Updating the Electronic Chart", Edition 3.0, December 1996
- (d) IMO Resolution MSC.232(82) "Revised Performance Standards for Electronic Chart Display and Information Systems (ECDIS)", December 2006
- (e) IEC-Guideline 61174, edition 3.0 "ECDIS - Operational and performance requirements, methods of testing and required test results", 2008-9
- (f) Annex IX, Part III to VI, of EU-Directive 2006/87: Requirements applicable to radar installations and rate-of-turn indicators and ZKR-Beschluss 2008-II-11 (Änderung der Rheinschiffahrtspolizeiverordnung und der Rheinschiffsuntersuchungsordnung im Hinblick auf die Mindestanforderungen und Prüfbedingungen für Navigationsradaranlagen und Wendeanzeiger in der Rheinschiffahrt sowie deren Einbau, zur Anpassung an europäische Richtlinien zur elektromagnetischen Verträglichkeit sowie einschlägige europäische und weltweite Normen und zur Neuordnung der Regelwerke der Zentralkommission, mit den Anlagen 1 und 2, in Kraft getreten am 1.12.2009
- (g) IHO Special Publication No. S-32 Appendix 1 "Glossary of ECDIS-related Terms".

3. Contents, provision and updating of chart information

3.1 Contents and provision of Inland ENC's

- (a) The chart information to be used in Inland ECDIS shall be the latest edition of information.
- (b) Provisions shall be made to prevent the user from altering the contents of original Inland ENC editions.
- (c) If the chart is intended to be used for **navigation mode** (Chapter 5.2 of this Section), at least the following features shall be included in the ENC:
 - bank of waterway (at mean water level)
 - shoreline construction (e.g. groyne, longitudinal control dam, training wall – any facility that is considered a hazard to navigation)
 - contours of locks and dams
 - boundaries of the fairway / navigation channel (if defined)
 - isolated dangers in the fairway / navigation channel under water
 - isolated dangers in the fairway / navigation channel above water level, such as bridges, overhead cables etc.
 - Official aids-to-navigation (e.g. buoys, beacons, lights, notice marks)
 - waterway axis with kilometres and hectometres or miles
 - location of ports and transshipment sites,
 - reference data for water level gauges relevant to navigation.
 - links to the external xml-files with operation times of restricting structures, in particular locks and bridges,
- (d) If the chart is intended to be used for **navigation mode** (Chapter 5.2 of this Section), the respective competent authority decides for each waterway or harbour within its geographical area of responsibility which of the above named features are to be verified. The respective competent authority shall declare which Inland ENC's are approved for **navigation mode** within its geographical area of responsibility. (For details see Section 2A of these technical specifications).

3.2 Updates

- (a) Inland ECDIS shall be capable of accepting updates to the Inland ENC data provided in conformity with the agreed standards. These updates shall be applied to the SENC automatically. The implementation procedure shall not interfere with the display in use.
- (b) Inland ECDIS shall allow display of updates, so that the skipper may review their contents and ascertain that they have been included in the SENC.
- (c) Inland ECDIS shall be capable of revoking automatically applied updates of the Inland ENC data.
- (d) Original Inland ENC editions and later updates shall never be merged.
- (e) The Inland ENC and all updates to it shall be displayed without any degradation of their information content.

- (f) The Inland ENC data and updates to it shall be clearly distinguishable from other information.
- (g) Inland ECDIS shall ensure that the Inland ENC and all updates to it have been correctly loaded into the SENC.
- (h) Inland ECDIS shall keep a record of updates, including the time of application to the SENC.
- (i) The contents of the SENC to be used shall be adequate and up to date for the intended voyage.

4. Presentation of information

4.1 Display requirements

- (a) The display method shall ensure that the displayed information is clearly visible to more than one observer in the typical conditions of light experienced in the wheelhouse of a vessel by day and night.
- (b) The display size of the chart presentation shall be at least 270 mm by 270 mm for equipment designed and admitted for the **navigation mode**. In **information mode** ergonomic aspects shall determine the size.
- (c) The display requirements shall be met whether in landscape or in portrait format.

4.2 Display ranges (scales)

- (a) In **information mode** (refer to Chapter 5.1 of this Section), it is recommended to use the same ranges as specified in the **navigation mode**.
- (b) In **navigation mode** (refer to Chapter 5.2 of this Section), only the successive switchable ranges (scales) specified in Section 4, Chapter 4.7 of these technical specifications are allowed.

4.3 Image positioning and orientation

- (a) In **information mode** all kinds of chart orientation are allowed (see Chapter 5.1 of this Section)
- (b) In **navigation mode** the chart shall be automatically positioned and oriented in the relative motion, head-up orientation with the own ship's position in the screen centre or off-centred (see Chapter 5.2 of this Section).

4.4 Display of SENC information

- (a) The display of SENC information shall be divided into the following three display categories:
 - Display Base
 - Standard Display
 - All Display

The allocation of the feature classes to the display categories is given in detail in the Look-up Tables of Appendix 2 "Presentation Library for Inland ECDIS" of these technical specifications.

- (b) The Display Base category shall contain at least the following features:
 - bank of waterway (at mean water level)
 - shoreline construction (e.g. groyne, longitudinal control dam, training wall – any facility that is considered a hazard to navigation)
 - contours of locks and dams
 - boundaries of the fairway / navigation channel (if defined)
 - isolated dangers in the fairway / navigation channel under water
 - isolated dangers in the fairway / navigation channel above water level, such as bridges, overhead wires etc.
 - official aids-to-navigation (e.g. buoys, lights and beacons)
- (c) The Standard Display category shall contain at least the following features:
 - the objects of Display Base category
 - prohibited and restricted areas
 - piers for commercial vessels (cargo and passenger)
 - kilometre and hectometre or mile marks on the banks
- (d) The All Display category shall display all features that are contained in the Inland SENC, individually on demand.
- (e) When invoking the Inland ECDIS, it shall come up with the Standard Information Density at an appropriate range available in the SENC for the displayed area.
- (f) Inland ECDIS shall be switchable to the Standard Information Density at any time by a single operator action.
- (g) Inland ECDIS shall clearly indicate the information density currently in use at all times.
- (h) Time variable depth information in the ENC shall be displayed independently of the above named three display categories.

4.5 Display of radar information

- (a) In **navigation mode** the radar image shall have the highest display priority and it is only allowed to be presented in the relative motion, head-up mode. If the system is also type approved for maritime ECDIS, true motion and north-up mode may be implemented. If such a system is used in true motion and/or north-up mode on European inland waterways, it is considered to be working in **information mode**.
- (b) The under laid SENC shall match in position, range and orientation. The radar image and the position from the position sensor shall both be adjustable for the antenna offset to the conning position.
- (c) The overlaid radar image shall conform to the minimum requirements as specified in Section 4, Chapter 4.14 of these technical specifications.
- (d) The overlaid radar image may contain additional navigational information. Any additional navigational information and tracking and tracing symbols shall however in no way degrade the display of the original radar content.

4.6 Display of other navigational information

- (a) Inland ECDIS and additional navigational information shall use a common reference system.
- (b) It shall be possible to display the skipper's own ship's position on the screen.

- (c) It shall be possible for the skipper to select safety limits.
- (d) Inland ECDIS shall indicate the falling short of the safety limits.

4.7 Colours and symbols

- (a) The display of colours and symbols to represent SENC information shall at least be able to comply with the regulations of Section 3 of these technical specifications. Additionally other user-selectable symbol sets are allowed.
- (b) To present navigational elements and parameters as listed in the IMO Resolution MSC.232(82), Appendix 3, other colours and symbols than those mentioned in 4.7.a shall be used.

4.8 Data and display accuracy

- (a) The accuracy of the calculated data that are presented shall be independent of the display characteristics and shall be consistent with the SENC accuracy.
- (b) The Inland ECDIS shall provide an indication whether the display uses a smaller display range than the accuracy of the Inland ENC data offers (over-scale indication).
- (c) The accuracy of all calculations performed by Inland ECDIS shall be independent of the characteristics of the output device and shall be consistent with the SENC accuracy.
- (d) Bearings and distances drawn on the display or those measured between features already drawn on the display shall have accuracy no less than that afforded by the resolution of the display.

5. Operation

5.1 Information mode

- (a) **Information mode** shall be used for information only and not for navigation.
- (b) In **information mode** all kinds of chart orientation, rotation, zooming and panning are allowed. However, it is recommended to use the same fixed ranges as in the **navigation mode** and the chart orientation whether
 - to north, or
 - to the fairway axis at the actual position, or
 - to the actual ships-heading.
- (c) It shall be possible to scroll the chart manually on the screen with the fairway axis in line with the vertical screen axis.
- (d) Inland ECDIS may be connected to a positioning sensor to scroll the chart picture automatically and to display the section of chart matching the actual surrounding, namely in the operator-selected range.
- (e) Information regarding the position and orientation of other vessels, gathered by communication links like AIS, shall be only displayed if they are up-to-date (nearly real-time) and accurate. The position and the orientation of other vessels by
 - a directed triangle or
 - a true outline (to scale)shall be not presented if the heading of these other vessels is not available. A generic symbol is recommended.

The following time out values are recommended (from IEC 62388):

Category of vessel	Nominal reporting interval	Maximum time out value	Nominal reporting interval	Maximum time out value
	class A	class A	class B	class B
Vessel at anchor or moored and not moving faster than 3 knots (class B not moving faster than knots)	3 min	18 min	3 min	18 min
Vessel at anchor or moored and moving at more than 3 knots	10 s	60 s	3 min	18 min
Vessel operating in SOLAS mode, moving 0 to 14 knots	10 s	60 s	30 s	180 s
Vessel operating in SOLAS mode, moving 0 to 14 knots and changing course	3 1/3 s	60 s	30 s	180 s
Vessel operating in SOLAS mode, moving 14 to 23 knots	6 s	36 s	30 s	180 s
Vessel operating in SOLAS mode, moving 14 to 23 knots and changing course	2 s	36 s	30 s	180 s
Vessel operating in SOLAS mode, moving faster than 23 knots	2 s	30 s	30 s	180 s
Vessel operating in SOLAS mode, moving faster than 23 knots and changing course	2 s	30 s	30 s	180 s
Vessel operating in inland waterway mode	2 – 10 s	60 s	-	-

The AIS targets shall be marked as outdated if the position information of moving vessels is older than 30 seconds.

Information on the intention (blue sign) or the number of blue cones of other vessels, the status of signals, weather warnings (EMMA) and the water level received via Inland AIS may be displayed. The information on the intention (blue sign) shall only be displayed on the right side of the symbol, if the heading of the vessel is available. If no heading information is available the information shall only be displayed in a direction independent form. The following table is providing an example for the display:

Visualization of Blue Sign status 0 to 2 and dangerous goods							
Blue Sign		Not connected or not available		Not set		Set	
		no	1 to 3	no	1 to 3	no	1 to 3
Heading	No						
	Symbol						
	True shape						

5.2 Navigation mode

- In **navigation mode**, the Inland ECDIS display shall be integrated with the own ship's radar information. The radar information shall be clearly distinguishable from the SENC information.
- The integrated display shall be in accordance with the requirements for radar on inland waterways as specified in Section 4, Chapter 4.14 of these technical specifications.
- The chart and the radar image shall match in size, position and orientation within the limits as specified in Section 4, Chapter 3.4 and 8.3.2 of these technical specifications.
- The Integrated Display shall only be presented in the head-up orientation. Other orientations are permitted in systems with an additional maritime ECDIS type approval. If such a system is used in true motion and/or north-up mode on European inland waterways, it is considered to be working in **information mode**.
- It shall be possible for the operator to adjust the off-set values between the positions of the position sensor and the radar antenna of the vessel so that the SENC display matches the radar image .
- It shall be possible to remove either the ECDIS or the radar information by a single operator action temporarily.
- The vessel's position shall be derived from a continuous positioning system of which the accuracy is consistent with the requirements of safe navigation.
- Navigation mode** shall provide an indication when the input from the position-fixing system is lost. **Navigation mode** shall also repeat, but only as an indication, any alarm or indication passed to it from a position fixing system.

- (i) The positioning system and the SENC shall be based on the same geodetic datum.
- (j) In **navigation mode**, the data according to Chapter 3.1.c of this Section shall always be visible and shall not be obscured by other objects.
- (k) Information regarding the position and orientation of other vessels, gathered by other communication links than the own radar, are permitted to be displayed only if they are up-to-date (nearly real-time) and meet the accuracy that is required for the support of tactical and operational navigation. Position information of the own vessel that is received from a repeater station shall not be displayed.
- (l) As tracking and tracing information (for example AIS) of other vessels is useful for the planning of the passing, but of no use during passing itself, tracking and tracing (AIS) symbols shall not disturb the radar image during passing and shall be faded out therefore. Preferably the application shall allow the skipper to define the area where the symbol is faded out.
- (m) The presentation of the position and the orientation of other vessels by a directed triangle or a true outline (to scale) are permitted only if the heading of these other vessels is available. In all other cases a generic symbol shall be used (an octagon is recommended, a circle shall not be used for applications which are certified according to maritime standards).
- n) Information that another vessel is carrying blue cones or lights may be displayed by a different colour of the vessel symbol. The number of the blue cones/lights shall only be displayed in the pick report.
- o) Information on the intention of another vessel to pass on starboard (blue sign) may only be displayed on the right side of the directed triangle symbol or of the scaled shape if the heading of this vessel is available. If no heading information is available the information shall only be displayed in a direction independent form.
- p) Information regarding the position of AIS base stations, AIS Aids to Navigation (ATON) and AIS Search and Rescue Transmitters (SART) may be displayed, if the symbols can be distinguished from other symbols (e.g. symbols 2.10 and 2.11 of IEC 62288 Ed. 1, Table A.1).

5.3 Operation and control elements

- (a) Inland ECDIS shall be designed following ergonomic principles for user-friendly operation.
- (b) The Inland ECDIS equipment shall have a minimum of operation and control elements (see Section 4 of these technical specifications).
- (c) Operation and control elements, and indicators for connected sensors, may be integrated in Inland ECDIS.
- (d) Standard settings and user-defined settings shall be easily retrievable.

6. Connections with other equipment

- (a) Inland ECDIS shall not affect the performance of any connected equipment adversely. Similarly the connection of optional equipment shall not degrade the performance of Inland ECDIS.
- (b) Inland ECDIS shall be capable of generating information to other systems, e.g. for the purpose of electronic reporting.
- (c) The relevant requirements of controls and indicators to connected equipment shall be fulfilled.

7. Indications and alarms

7.1 Built in Test Equipment (BITE)

Inland ECDIS shall be provided with means for carrying out on board tests of major functions either automatically or manually. In case of a failure, the module at fault shall be shown.

7.2 Malfunctions

Inland ECDIS shall provide a suitable alarm or indication of system malfunctions (refer to Section 4, Chapter 9 of these technical specifications).

8. Fallback arrangements

8.1 Insufficient accuracy of the SENC-positioning

In **navigation mode** the SENC shall be automatically switched off, if the SENC positioning does not match the radar picture within the limits of Section 4, Chapter 5.1 and 5.2 of these technical specifications.

8.2 Defects

- (a) If the Inland ECDIS system has an evident defect, it shall provide a suitable alarm (refer to Section 4, Chapter 4.16 and 9 of these technical specifications).
- (a) Facilities enabling a safe take-over of the Inland ECDIS functions shall be provided in order to ensure that an Inland ECDIS failure does not result in a critical situation.

9. Power supply in navigation mode

The Inland ECDIS shall have its own separate fused power supply.

SECTION 2

DATA STANDARD FOR INLAND ENCS

1. Introduction

- (a) This Data Standard for Inland ENCs describes the technical specifications to be used
 - for the exchange of digital hydrographic data between national inland waterway authorities and
 - for its distribution to manufacturers, skippers and other users.
- (b) This Data Standard shall be used for the production of Inland ENCs. The transfer and distribution shall take place in such a way that none of the information is lost.
- (c) This Data Standard is based on the "IHO Transfer Standard for Digital Hydrographic Data", Special Publication No. 57, Edition 3.1 Supplement No 2 with all Appendices and Annexes (see comparison table in the beginning of these Inland ECDIS technical specifications), in brief "S-57".
- (d) This Data Standard describes the necessary additions and clarifications to S-57 and the application of S-57 for the purpose of use in Inland ECDIS applications.
- (e) This Data Standard comprises
 - this Section 2
 - Appendix 1 Product Specification for Inland ENCs, Appendix 1.1 Inland ENC Feature Catalogue and Appendix 1.2 Inland ENC Encoding Guide.

2. Theoretical data model

The description of the theoretical data model in S-57 Part 2 shall apply to the theoretical data model of Inland ENCs.

3. Data structure

The description of the data structure in S-57 Part 3 shall apply to the data structure of Inland ENCs.

4. Product specification for Inland ENCs

The Product Specification for Inland ENCs (Appendix 1) is a set of specifications intended to enable chart producers to produce a consistent Inland ENC, and manufacturers to use that data efficiently in an Inland ECDIS that satisfies the Performance Standard for Inland ECDIS (Section 1 of these technical specifications).

An Inland ENC shall be produced in accordance with the rules defined in these specifications and shall be encoded using:

- the Inland ENC Feature Catalogue(Appendix 1.1) and
- the rules described in the Inland ENC Encoding Guide (Appendix 1.2).

Official Inland ENCs shall be produced in accordance with the latest version of the 'Data Standard' including the 'Product Specification'. Official Inland ENCs, which have been produced in accordance with Edition 1.02 of the Inland ECDIS Standard and before the entry into force of these technical specifications remain valid until new editions of Official Inland ENCs are published in accordance with these technical specifications.

5. Definitions

Definitions of terms may be found in

- S-57, part 1, clause 5
- the "Glossary of ECDIS Related Terms" in S-32 Appendix 1
- the "Glossary of Terms" in Section 5 of these technical specifications.

6. Procedures for changes of the appendices

The maintenance procedure for the Product Specification for Inland ENC (including its annexes) is described in the Product Specification and its annexes.

The International Inland ENC Harmonization Group (IEHG) has the revocable mandate to maintain the amendments of Appendix 1 Product Specification for Inland ENCs and its Appendices 1.1 and 1.2, Inland ENC Feature Catalogue and Inland ENC Encoding Guide. The mandate is subject to the following restrictions:

- Product Specifications for Inland ENCs:
IEHG is authorized to adapt this digital part of the Inland ECDIS Standard if the maintenance of the Inland ENC Feature Catalogue requires another version of the Product Specification for Inland ENCs.
IEHG is authorized to adapt this digital part of the Inland ECDIS Standard if an updating of the Product Specification for maritime ENCs requires that in order to ensure compatibility as far as possible.
- Inland ENC Feature Catalogue:
IEHG is authorized to amend this digital part of the Inland ECDIS Standard with additional entries.
IEHG isn't authorized to alter this digital part of the Inland ECDIS Standard by deleting existing entries if there's one veto against such a proposal.

- Inland ENC Encoding Guide:

Concerning rules which describe the encoding of the minimum content of an Inland ENC (see 3.1 c of section 1 of this Standard):

IEHG is authorized to adapt this digital part of the Inland ECDIS Standard by amending those encoding rules with additional optional attributes.

IEHG isn't authorized to adapt this digital part of the Inland ECDIS Standard by exchanging a currently used feature for another within those encoding rules if there's one veto against such a proposal.

IEHG isn't authorized to adapt this digital part of the Inland ECDIS Standard by altering those encoding rules where attributes are characterized as "mandatory" or "conditional" if there's one veto against such a proposal.

Concerning all other encoding rules:

IEHG is authorized to adapt this digital part of the Inland ECDIS Standard if necessary. If this means that other features and attributes have to be used in the future the handling of the formerly used features and attributes depends on the decision on the entries within the Inland ENC Feature Catalogue.

The Inland ECDIS Expert Group is authorized to correct factual errors within the Product Specification for Inland ENC including the Inland ENC Feature Catalogue and the Inland ENC Encoding Guide.

IEHG isn't authorized to adapt the Product Specification for Inland ENC including the Inland ENC Feature Catalogue and the Inland ENC Encoding Guide for any other reasons than the abovementioned.

The maintenance procedure for the Product Specification for Inland ENC (including its annexes) has to ensure that the delegations of the Member States have the same possibilities of access to the discussion of a proposal than any member of IEHG or the Inland ECDIS Expert Group.

The maintenance procedure for the Product Specification for Inland ENC (including its annexes) has also to ensure that for every proposal the same discussion period applies. The discussion period shall not be shorter than six weeks.

SECTION 2A:

CODES FOR PRODUCERS AND WATERWAYS (IN ADDITION TO IHO-S-62 ENC PRODUCER CODES)

Codes for producers of Inland ENCs as well as the registration procedure are made available at http://ec.europa.eu/transport/iw/index_en.htm and <http://ienc.openeedis.org>, if they are not already mentioned in IHO S-62.

If administrations or private companies decide to produce Inland ENCs, they shall register a producer code at the S-100 registry of IHO at <http://registry.iho.int>.

The notification of competent authorities in accordance with Article 8 of Directive 2005/44/EC shall include information on the geographical area of responsibility and the official website of the competent authorities. Member States shall notify the Commission immediately of any changes.

The competent authorities referred to in Article 8 of Directive 2005/44/EC shall maintain and provide via its official website an up-to-date list of Official Inland ENCs approved for the **navigation mode** within its geographical area of responsibility. The list shall include the file name of the cell, the stretch of the inland waterway that is covered, the edition number, the issue date and a list of available update files to the currently valid edition also with their issue dates. By putting an Inland ENC on that list the competent authority declares this cell as verified with respect to the minimum content and therefore approved for **navigation mode**.

The list of competent authorities (including their geographical area of competence and their web address) will be maintained and uploaded by the European Commission at http://ec.europa.eu/transport/iw/index_en.htm.

The following Codes for Waterways are recommended for use in the file name of IENCs:

Waterway Code	Waterway Name	Remark
BA	Balaton	
BK	Boudewijn Kanaal	
BSK	Berlin-Spandauer Schiffahrtskanal	including Westhafenkanal and Charlottenburger Verbindungskanal
BZ	Beneden Zeeschelde	
D	Danube	including Sulina branch
DA	Danube Chilia branch	
DB	Dunarea Barcea	
DCC	Danube Cernovoda canal	
DE	Dortmund-Ems Kanal	
DD	Desna	

Waterway Code	Waterway Name	Remark
DN	Dnipro	
DNP	Prypiat	
DNS	Sula	
DNV	Vorskla	
DR	Drava	
DUK	Rackevei-Duna	
DUM	Mosoni-Duna	
DUS	Szenterei-Duna	
DV	Dunarea Veche	
EL	Elbe	
EH	Elbe-Havel-Kanal	
EMS	Ems	
ES	Elbe-Seiten-Kanal	
EV	Estuaire Vaart	Estuary shipping between Zeebrugge and Dutch border
GA	St. Gheorghe-Arm	
HO	Havel-Oder-Wasserstraße	including Westoder
KGT	Kanaal Gent-Terneuzen	
MA	Main	
MD	Main-Donau-Kanal	
ME	Müritz-Elde-Wasserstraße	
ML	Mittelland-Kanal	
MO	Mosel	
NE	Neckar	
NOK	Nord-Ostsee-Kanal	
OD	Oder	
OL	Olt	
PK	Plassendale Kanaal	
RH	Rhine	
RHK	Rhein-Herne-Kanal	
RL	Nederrijn/Lek	
RU	Ruhr	
SA	Sava	
SE	Schelde	
SI	Sio-chatorna	

Waterway Code	Waterway Name	Remark
SL	Saale	
SO	Spree-Oder- Wasserstraße	
SR	Saar	Currently SA is used; this will be changed to SR with the next edition
TI	Tisza	
UH	Untere Havel- Wasserstraße	
UWE	Unterweser	from km Uwe 0,00
WA	Waal	
WE	Mittelweser	until km 366,65/UWe 0,00

Additional waterway codes can be registered at <http://ienc.openecd.org>

SECTION 3

PRESENTATION STANDARD FOR INLAND ECDIS

1. Introduction

- (a) This Presentation Standard for Inland ECDIS describes the technical specifications to be used for the presentation of Inland ECDIS data. The presentation shall take place in such a way that none of the information is lost.
- (b) This Presentation Standard is based on the document "S-52, Specification for Chart Content and Display Aspects of ECDIS" of the IHO, Edition 6, March 2010, with all Appendices and Annexes (see "Comparison of the structures of the standards for (Maritime) ECDIS and Inland ECDIS" in the beginning of these technical specifications).
- (c) This Presentation Standard describes the necessary additions and clarifications to S-52 and the application of S-52 for the purpose of use in Inland ECDIS applications.
- (d) This Presentation Standard comprises
 - this Section 3,
 - the Appendix 2 Presentation Library for Inland ECDIS with additions and clarifications to be applied to S-52, Annex A.
- (e) Definitions of terms may be found in
 - IHO-S-57, Part 1, clause 5,
 - the "Glossary of ECDIS-Related Terms" in S-32 Appendix 1,
 - the "Glossary for Inland ECDIS" in Section 5 of these Inland ECDIS technical specifications.

2. The Presentation Library for Inland ECDIS

S-57 data sets do not contain any information about how the data is going to be presented. The chart presentation is generated online in the Inland ECDIS application. For that purpose, the Inland ECDIS application uses machine-readable symbolization instructions for each feature, which is drawn on the screen. For the presentation of ENC's the IHO S-52 standard is mandatory. The S-52 standard contains all rules which are necessary for the symbolization and presentation of ENC's on the screen.

Since the features, attributes and attribute values for ENC's were extended for Inland ENC's an extension of the S-52 standard is necessary in order to be able to display also the Inland specific features. All extensions apply to the Edition 3.4 of the IHO ECDIS Presentation Library (Annex A of S-52).

2.1 Components of S-52 and Inland ECDIS Presentation Library

The major components of the S-52 presentation library are:

- A library of symbols, line styles and fill styles
- A colour coding scheme which includes the IHO colour tables for day, dusk and night time

- A set of symbology command words from which machine readable instructions can be assembled. The result is a symbology instruction, which is processed to symbolise ENC features in turn.
- A set of conditional symbology procedures to decide the appropriate symbolisation in cases determined by the mariner's selection (e.g. safety contour) or for complex symbols (e. g. top marks on buoys and beacons)
- A set of look-up tables that link feature descriptions from the ENC to the appropriate symbology instructions depending on whether:
 - the link is straight forward, i.e. a direct relationship between a feature's description and its presentation such as a buoy or a land area. In this case, the look-up table provides the symbology instruction to show a symbol, an area fill, or a line style.
 - the link is conditional, i.e. depending on circumstances, for example a depth area, whose colour fill depends on the choice of the safety contour. In this case the look-up table refers the decision to a conditional symbology procedure that selects the appropriate symbology instructions later.

Inland ECDIS shall use all S-52 components plus extensions in:

- Lookup tables
- Symbol library
- Conditional symbology procedures

Only the extensions are described in Appendix 2 Presentation Library for Inland ECDIS.

2.2 Look-up tables

For each geometry type (point, line, area) there is a separate look-up table. Each entry in a look-up table consists of the following fields:

- (a) 6-character code of the feature class (acronym)
- (b) Attribute combination
- (c) Symbolization instructions
- (d) Display priority, 0-9 (comparable with drawing layers)
- (e) Radar code
- (f) Display category (Display base, standard, all other)
- (g) "Viewing group", more refined grouping of features than the display categories

```
"LNDMRK","CATLMK17|","SY(TOWERS01)","7","O","OTHER","32250"
```

Figure 1 - Example entry of a look-up table

In this case the feature LNDMRK is shown by the symbol TOWERS01 with priority 7, if the attribute CATLMK equals 17. The feature lies over the radar.

The presentation of features in a specific area that are contained in different cells of the same usage follows the entries in the look-up tables.

The Presentation Library provides five look-up tables:

- paper chart point symbols
- simplified point symbols
- line symbols
- plain area boundary symbols
- symbolized area boundary symbols

2.3 Conditional symbology procedures (CS)

CS are generated for features of which the symbolization

- depends on application settings, e.g. safety contour,
- depends on other features, e.g. top marks and their structure,
- is too complex to be defined in a direct look-up table entry.

CS Procedures, which shall be modified or implemented in an Inland ECDIS additional to the CS Procedures of S-52 are described in Appendix 2 Presentation Library for Inland ECDIS.

2.4 Colours

Colours used in an ECDIS are defined in an absolute, monitor independent way (CIE coordinates). This ensures that ECDIS charts look similar on monitors of different suppliers. By means of a colour calibration software which must be used by the manufacturer, CIE values are converted into RGB values.

Commercial displays usual in the trade are seen as matching these requirements.

Because of the different lighting conditions on the bridge of a ship, it is necessary to offer presentations with different brightness. For each level a separate colour table exists.

The represented colour scheme shall be chosen on the basis of ergonomically and physiological factors and the representation of indications in different colours shall not result in mixed colours by superimposing.

2.5 Presentation of notice marks

Notice marks which are located at the river bank are presented in the chart displayed by generic symbols (notmrk01, notmrk02 and notmrk03). This does not apply to the notice marks on bridges.

Additionally applications are required to be able to display the detailed symbol, which is similar to the real world indication, and the full set of object information of a user-selected notice mark.

Notice marks that are located at bridges, shall be symbolized according to the orientation of the bridge.

Notice marks which specify distances or a velocity will not be symbolized with the number itself, but only with that symbol which gives the general regulation or information.

3. Procedures for changes of the appendices.

The maintenance procedure under No. 7 of the Product Specification for Inland ENC applies in principle to the maintenance of the Presentation Library too. In this case - unlike the described maintenance procedure - only the European Inland ECDIS Expert Group maintains the Presentation Library for Inland ECDIS.

The Inland ECDIS Expert Group has the revocable mandate to maintain the Presentation Library for Inland ECDIS including the Look-up Tables and the Symbols for Inland ECDIS. The mandate is subject to the following restrictions:

- The Inland ECDIS Expert Group is authorized to adapt this digital part of the Inland ECDIS Standard if the introduction of new features, attributes or enumerations requires extensions.
- The Inland ECDIS Expert Group is authorized to adapt this digital part of the Inland ECDIS Standard by altering existing symbols and the linked Look-up-Tables and Conditional Symbology Procedures **but** the Inland ECDIS Expert Group isn't authorized to adapt this digital part of the Inland ECDIS Standard by altering existing symbols for floating and stationary aids-to-navigation (including notice marks) and the linked Look-up-Tables and Conditional Symbology Procedures if there's one veto against such a proposal.
- The Inland ECDIS Expert Group is authorized to adapt this digital part of the Inland ECDIS Standard if an updating of IHO's Presentation Library for ECDIS requires that in order to ensure compatibility as far as possible.
- The Inland ECDIS Expert Group is authorized to correct factual errors within Presentation Library for Inland ECDIS including the Look-up Tables and the Symbols for Inland ECDIS.

The Inland ECDIS Expert Group isn't authorized to adapt the Presentation Library for Inland ECDIS including the Look-up Tables and the Symbols for Inland ECDIS for any other reasons than the abovementioned.

The maintenance procedure for the Presentation Library for Inland ECDIS (including its annexes) has to ensure that the delegations of the Member States have the same possibilities of access to the discussion of a proposal than any member of the Inland ECDIS Expert Group.

The maintenance procedure for the Presentation Library for Inland ECDIS (including its annexes) has also to ensure that for every proposal the same discussion period applies. The discussion period shall not be shorter than six weeks.

SECTION 4: OPERATIONAL AND PERFORMANCE REQUIREMENTS, METHODS OF TESTING AND REQUIRED TEST RESULTS

1. Introduction

1.1 Subject matter of this Section

This Section specifies the minimum requirements contained in Section 1 of these technical specifications and describes the test procedures and the required results concerning the hardware, the software, the functions, the operation, the display and the interfaces to other equipment on board of ships.

1.2 Normative references

References to the following normative documents are made in this document in addition to the references in Section 1, Chapter 2.2 of these technical specifications:

EN 60945 (2002):	Marine navigational equipment; General requirements - Methods of testing and required test results
IEC 61174 Edition 3.0:	ECDIS - Operational and performance requirements, methods of testing and required test results
ISO 9000 (2005):	Quality management and quality assurance standard
EU-Directive 2006/87/EC:	Annex IX, Part III to VI: Requirements applicable to radar installations and rate-of-turn indicators
CCNR Decision 2008-II-11:	Änderung der Rheinschiffahrtspolizeiverordnung und der Rheinschiffsuntersuchungsordnung im Hinblick auf die Mindestanforderungen und Prüfbedingungen für Navigationsradaranlagen und Wendeanzeiger in der Rheinschiffahrt sowie deren Einbau, zur Anpassung an europäische Richtlinien zur elektromagnetischen Verträglichkeit sowie einschlägige europäische und weltweite Normen und zur Neuordnung der Regelwerke der Zentralkommission, mit den Anlagen 1 und 2, in Kraft getreten am 1.12.2009
EU-Directive 1999/5/EC:	Radio Equipment and Telecommunications Terminal Equipment and the Mutual Recognition of their Conformity

2. Operating modes and system configuration

2.1 Operating modes

- (a) The Inland ECDIS technical specifications distinguish two operating modes: **navigation mode** and **information mode**.

- (b) Inland ECDIS equipment designed for operating in **navigation mode** shall fulfil the requirements of these technical specifications and the standards on navigational radar equipment and rate-of-turn indicators to be proven by conformity tests.
- (c) For Inland ECDIS equipment designed for **information mode** only, the requirements of this Section 4 are to be understood as a recommendation.

2.2 System configurations

2.2.1 *Inland ECDIS equipment, stand-alone-system without connection to radar*

In this configuration only operation in **information mode** is possible (see Section 4B, Fig. 1).

2.2.2 *Inland ECDIS equipment, parallel installation and connection to radar*

This configuration allows operation in **information mode** as well as in **navigation mode** (see Section 4B, Fig. 2).

2.2.3 *Inland ECDIS equipment, monitor shared with connected radar equipment*

In this case, the monitor of the radar equipment is shared with the Inland ECDIS equipment. Prerequisite for this mode are matching graphic parameters for both video signals and a video switch, which allows a fast switchover of the video sources (see Section 4B B, Fig. 3).

This configuration allows operation in **information mode** as well as in **navigation mode**.

2.2.4 *Radar equipment with integrated Inland ECDIS functionality*

This is a radar installation with integrated Inland ECDIS functionality that can be operated in **information mode** as well as in **navigation mode** (see Sector 4B, Fig. 4).

3. Performance requirements

3.1 Hardware performance

- (a) Inland ECDIS equipment shall be designed and manufactured to withstand typical environmental conditions prevailing on board of a vessel without any degradation in quality and reliability. Furthermore, it shall not disturb other communication and navigation equipment.
- (b) In the configuration as described in Chapter 2.2.4 of this Section all components of Inland ECDIS equipment installed inside the wheelhouse, shall fulfil the requirements of the class b) "protected from weather" equipment as specified in the standard EN 60945 with the exception that the test temperature range is limited to 0° C to +40° C (whereas the test temperature range in EN 60945 is specified from – 15° C to + 55° C) unless specified differently in these technical specifications. For the configurations described in Chapter 2.2.2 and 2.2.3 of this Section CE conformity is sufficient.

3.2 Software performance

Software for the operation, visualisation, and functionality of Inland ECDIS equipment shall be designed, developed, implemented, and tested in accordance with the software requirements described in Section 4A to these technical specifications.

3.3 Performance of operation controls

- (a) The operation of the system shall be simple, appropriate and conform to common human interface standards.
- (b) The number of operational controls shall be as low as possible and restricted to the required number.
- (c) Wireless remote controls are not permitted.
- (d) The ON/OFF switch shall perform and shall be arranged in such a way that inadvertent operation is not possible.
- (e) The symbols of the operating controls shall have a minimum character height of 4 mm and shall be readable under all conditions that may exist in a wheelhouse.
- (f) The brilliance and the illumination of the operating controls shall be adjustable to the required value.

3.4 Display performance

3.4.1 Display dimensions

In **navigation mode** the minimum chart and radar display area shall be at least 270 mm x 270 mm.

3.4.2 Display orientation

- (a) A rectangular display may be mounted in landscape or in portrait orientation under the prerequisite that the above-mentioned minimum dimensions are fulfilled.
- (b) Because of the limited space available in the typical wheelhouse of an inland vessel and the fact that a vessel usually follows the fairway-axis, the display shall be installed preferably in the portrait orientation.

3.4.3 Display resolution

A display resolution of 5 m in the 1,200 m range is required. This leads to a maximum pixel dimension of 2.5 m x 2.5 m, i.e. about 1,000 pixels at the short edge of the display.

3.4.4 Display colours

The system shall be able to display ergonomically proven colour combinations for day and night.

3.4.5 Display brilliance

The brilliance of the display shall be adjustable to every operational required value. This is especially valid for the lowest value during operation at night.

3.4.6 Picture renewal

- (a) The picture renewal rate shall not be shorter than that of the radar picture (≥ 24 pictures per minute).
- (b) Between two consecutive renewals no fluctuations of brilliance shall occur.
- (c) On raster scan displays, the frame repetition rate shall not be lower than 60 Hz.

3.4.7 *Display technology*

Preferably such display systems shall be used that are insensitive to the magnetic fields that may occur in the wheelhouse of an inland vessel.

4. Operational functions

4.1 Operating mode

- (a) If the equipment is able to work in both operation modes it shall provide the possibility to switch between **navigation mode** and **information mode**.
- (b) The operation mode in use shall be displayed.
- (c) Suitable measures are required to prevent inadvertent switching off of the **navigation mode**.

4.2 Equipment pre-sets (store/recall)

- (a) After invoking, the Inland ECDIS equipment shall come up with a moderate brilliance pre-set which neither blinds in a dark environment nor makes the picture invisible in a bright environment.
- (b) Other parameters may come up with their values at the time before switching off or from stored settings.

4.3 Presentation of SENC information

- (a) The radar picture shall be clearly distinguishable from the chart independently of the chosen colour table.
- (b) Only a monochrome presentation of the actual radar picture is permitted.
- (c) The presentation of chart information shall not mask or degrade important parts of the radar picture. This shall be ensured by appropriate entries into the look-up tables (refer to Section 3 of these technical specifications, Chapter 2.2, field "radar code").
- (d) In **navigation mode**, chart and radar picture presentation shall have the same scale.
- (e) The heading line shall be always visible.
- (f) Additionally, the mariner's own ship's contour and the safety contours may be inserted.

4.4 Chart orientation, positioning and shifting

- (a) In **navigation mode**, only the chart orientation "relative motion, head up" and the "centred" or "off centred" presentations, as required for the radar picture, are permitted.
- (b) In **information mode**, at least the chart orientations 'north' and 'parallel to the waterway axis' as well as positioning are recommended. By connection of a positioning sensor, the displayed part of the chart can automatically follow the mariner's own ship's position.

4.5 Position and bearing of the own ship

- (a) In **navigation mode**, the own ships position shall always be visible in the display area, whether "centred" or "off centred", as specified in the CCNR radar requirements.
- (b) The heading line, which runs from the display centre to the top and which shall be always visible, shall represent the heading of the mariner's own ship.

4.6 Information density

The information density shall be at least adjustable to the three switch steps: "Minimum", "Standard" and "All Information". The latter displays all other features in addition to the "Standard" display, individually on demand. All corresponding visible features are defined in the "Performance Standard" and the "Presentation Standard" (incl. the "Presentation Library for Inland ECDIS") (Sections 1 and 3 of these technical specifications).

4.7 Ranges/Range rings

- (a) In **navigation mode** the following fixed ranges and range rings are prescribed according to the radar regulations:

Range	Range rings
500 m	100 m
800 m	200 m
1,200 m	200 m
1,600 m	400 m
2,000 m	400 m
4,000 m	800 m

- (b) Smaller and larger ranges with a minimum of four and a maximum of six range rings are permitted.
- (c) Inland ECDIS equipment in **navigation mode** shall have fixed range rings with the above-mentioned intervals and at least one variable range marker (VRM).
- (d) Switching on/off of fixed and variable range markers shall be independent of each other and their display shall be clearly distinguishable.
- (e) The position of the VRM and the corresponding displayed distance shall use the same increments and resolution.
- (f) The functions of the VRM and the electronic bearing line (EBL) may additionally be realised by a cursor and by a corresponding numerical display, showing range and bearing of the cursor position.
- (g) For **information mode** the same ranges are recommended.

4.8 Picture brilliance

- (a) The brightness of the display shall be adjustable to the operationally necessary value. This applies in particular to operation in darkness.
- (b) Chart and radar picture shall have separate brightness controls.
- (c) Because of the strongly different environment brightness of bright day and dark night, another control for the basic brightness of the display shall be available additionally to the colour tables in the menu.

4.9 Picture colours

At least the colour combinations included in the IHO-S-52 Presentation Library, Chapter 4 and 13 (*colour tables*) for bright day, white-back day, black-back day, dusk and night shall be supported.

4.10 Pick report

- (a) In **navigation mode**, it shall be possible to get all underlying textual and/or graphical information concerning user selections of the features that are displayed in the chart.
- (b) This additional textual and/or graphical information shall not hamper the view of the waterway in the navigational chart.

4.11 Measuring features

- (a) Measuring features for distances and bearings are required.
- (b) Resolution and accuracy shall at least be the same as those of the display, but may not suggest better values than those of the chart data.

4.12 Input and editing of skippers' own chart entries

- (a) Inland ECDIS equipment shall allow input, storing, modifying and deletion of additional chart information by the skipper (skippers' own features).
- (b) These own chart entries shall be distinguishable from the SENC data, and shall not overlay or degrade the radar picture.

4.13 Loading and updating of SENC's

- (a) All **manual** activities concerning loading or updating of charts shall be possible only outside the **navigation mode**.
- (b) **Automatic** updating shall not downgrade the performance of the navigation display.
- (c) A **rollback function** shall be implemented to allow restoring to the last working combination.

4.14 Radar picture presentation and overlay

- (a) The radar image representation is mandatory for operation in the **navigation mode**.
- (b) The dimensions, resolution and attributes of the radar presentation shall fulfil the relevant radar requirements.
- (c) The radar picture shall not be degraded by other contents of the picture (see also Chapter 4.3.c of this Section).
- (d) Provided the functional requirements are fulfilled, overlaying of different information layers is permitted.
- (e) The overlay of information regarding the position and orientation of other vessels is only allowed when:
 - the information is up-to-date (nearly real-time) and
 - the age of information does not exceed the maximum time out values provided in the table in 5.1 (e) of section 1, Performance Standard for Inland ECDIS. The symbols shall be marked as outdated, if the age of the information exceeds 30 seconds for moving vessels. The position information of the own vessel shall not be displayed, if it is received from a repeater station.

- (f) The overlaid information derived from tracking and tracing devices regarding the position and orientation of other vessels shall be faded out at a user-definable range.
- (g) The presentation of the position and the orientation of other vessels by
 - a directed triangle or
 - a true outline (to scale)are permitted only if the heading of these other vessels is available. In all other cases a generic symbol shall be used (an octagon is recommended, a circle shall be used for inland applications only).
- (h) It shall be possible to switch off the chart and any other information layer and to display only the radar picture by one easily accessible control element or menu area.
- (i) If the quality and plausibility monitoring of the Inland ECDIS equipment detect that the chart cannot be oriented and/or positioned with the accuracy required by these technical specifications, an alarm shall be presented on the display and the chart shall be switched off automatically.

4.15 Inland ECDIS functions with immediate access

- (a) The following operational functions require direct access:
 - RANGE
 - BRILLIANCE
 - COLOURS
 - INFORMATION DENSITY
- (b) These functions shall have either own control elements or own menu areas, which are arranged in the highest menu level and are permanently visible.

4.16 Permanently visible function parameters

The following function parameters shall always be visible:

- actual RANGE
- sensor STATUS (radar tuning, position quality, alarms)
- selected WATER LEVEL (if available)
- selected SAFETY DEPTH (if available)
- selected INFORMATION DENSITY

5. Service functions

Service functions shall be protected by password or other suitable measures against unauthorised access and shall not be selectable in **navigation mode**.

5.1 Static correction of the chart position

- (a) The position of the mariner's own ship shall be presented "centred" or "off centred" on the display in accordance with the radar requirements. The chart position shall match the radar image. Assuming an absolute position's input the permissible static difference between actual radar position and displayed radar centre shall not exceed 1 m.
- (b) It shall be possible to correct an offset error (distance between the positions of the position sensor and the radar sensor).

5.2 Static correction of the chart orientation

- (a) The difference between the heading line orientation and the ship's axis shall not be greater than ± 1.0 degree.
- (b) Chart and radar image shall have the same orientation. The static directional error between heading line and chart orientation shall be less than ± 0.5 degree.

5.3 Configuration of interfaces

- (a) It shall be possible to configure interfaces for connected sensors, actors and signals [An actor transforms an electrical quantity into another physical quantity (e.g. optical). An actor is the opposite of a sensor].
- (b) Interfaces shall comply with existing interface specifications like the NMEA 01/83 standard and the interface specifications for rate of turn indicators (20 mV/deg/min).

6. Hardware test and required certificates

- (a) The test shall consist of a comparison between the equipment under test (EUT) and the requirements of these technical specifications.
- (b) Proved equivalent tests, and proved and documented test results shall be accepted without renewed tests.

6.1 Compatibility with the environmental requirements

- (a) Inland ECDIS equipment, as described in Chapter 2.2.4 of this Section, shall fulfil the requirements of the Standard EN 60945 concerning the environmental conditions (humidity, vibration and temperature; the latter reduced according to Chapter 3.1 of this Section) and concerning electromagnetic compatibility.
- (b) The provider or his representative shall submit a relevant conformity declaration of an accredited laboratory.

6.2 Equipment documentation

The technical documentation shall be checked to be complete, appropriate, and understandable, and to be sufficient for unproblematic installation, configuration and operation of the equipment.

6.3 Interfaces

- (a) All interfaces shall be documented correctly and completely.
- (b) Electronic circuits shall be designed failsafe, mechanically as well as electronically, and shall not have degrading repercussions on connected equipment.

6.4 Characteristic of operation controls

All operation controls shall be checked regarding the ergonomic and functional mode of operation and shall fulfil the requirements of these technical specifications.

6.5 Characteristic of the display

The display shall fulfil all requirements of these technical specifications concerning dimension, displayable colours, resolution, and variation of brilliance.

7. Test of the chart presentation, operation and functionality

7.1 Preparation of the Equipment Under Test (EUT)

The EUT shall be installed, assembled and connected according to the installation manual. After switching on the test SENC shall be loaded.

7.2 Test of the operation modes

All operating modes as described in the operating manual shall be successively invoked and tested. The requirements of Chapter 4 of this Section shall be fulfilled.

7.3 Test of the displayed features

Whether all features included in the test SENC are visible and correctly displayed shall be tested. For this test, the information density shall be switched to "all features". The system shall be capable to at least display all features according to the Presentation Standard for Inland ECDIS (Section 3 of these technical specifications). Additionally other user-selectable symbol sets are allowed.

If symbols that deviate from Appendix 2, the Inland ECDIS Presentation Library are used for the presentation of any chart information, then they shall:

- be legible;
- be certain and unambiguous in their meaning;
- be of sufficient size to support the nominal viewing distance.

Symbols added to the ECDIS Presentation Library shall be clearly distinguishable from Presentation Library symbols.

7.4 Test of the scale dependent information density (SCAMIN)

- (a) Whether the SCAMIN functionality (the minimum scale at which the feature may be used for ECDIS presentation) is installed correctly shall be tested.
- (b) For this test, the range shall be used at which the feature shall be visible according to its SCAMIN enumeration (refer to Appendix 1.1, the Inland ENC Feature Catalogue and the IHO-S-52 Users Manual to the Presentation Library, Chapter 8.4).

7.5 Test of brilliance variation

The Inland ECDIS equipment shall be operated in a dark room and the brilliance shall be brought to its lowest level. The brilliance of the features shall not exceed a value of 15 cd/m², and the background a value of 0,5 cd/m².

7.6 Test of the colours

All user selectable S-52 colour tables shall be sequentially tested to conform to these technical specifications.

7.7 Test of the measurement functions

- (a) All numeric displayed values of the electronic bearing line (EBL) and the variable range marker (VRM) shall exactly match with the analogue positions of the EBL and the VRM (or correspond with the cursor co-ordinates).
- (b) The resolution and increments of the numerical display shall be identical with the analogue values of EBL and VRM.

7.8 Test of the chart update function

Before and after each test step the version numbers of the loaded SENCs and updates shall be recalled as described in the operation manual and showed on the display.

- Step 1: Loading of the test SENC,
- Step 2: Update of the test SENC,
- Step 3: Test of the roll-back function,
- Step 4: Loading of a new SENC.

After an update it shall be possible to recall and display all concerned features.

7.9 Test of displayed features in more than one cell for the same area

- (a) It shall be tested whether all features included in the test SENC and in the additional overlay test SENC are visible and correctly displayed. For this test the information density shall be switched to "all features".
- (b) It shall be tested whether it is possible to select one or more specific cells for presentation if there are several cells from different producers for the same area with the same usage.

8. Test of radar picture presentation and operation

8.1 Preparations

- (a) For the test purposes, the manufacturer or provider shall provide a serial interface at the system to be approved (*Equipment under test* - EUT) which delivers the same actual values (as NMEA 01/83 strings) of position and heading that are used to position and orient the chart.
- (b) During the test, a reference system shall be used of which position and heading values are compared with those of the EUT.
- (c) The EUT shall be connected to any type approved radar equipment (to the choice of the provider).
- (d) The radar picture shall be adjusted in range and bearing with reference to the heading line.

8.2 Test of the radar picture without under laid chart

- (a) If the Inland ECDIS equipment displays the radar picture but the radar operation control remains at the radar equipment (Section 4B, figures 2 and 3), the radar picture of the inland ECDIS equipment shall be considered as the "daughter display" of an item of radar equipment. In that case, the radar picture shall fulfil the display and picture-relevant requirements of the requirements for radar and rate-of-turn indicators.
- (b) If the EUT is a radar installation with integrated Inland ECDIS functionality (Section 4B, figure 4), all requirements of the standards for radar equipment and rate-of-turn indicators shall be fulfilled.

8.3 Test of the radar picture, overlaid information from other vessels and the underlying chart

The Inland ECDIS equipment shall be installed in a reference environment. This can be real (on a ship) or simulated. Position and orientation information of other vessels (according to the Inland AIS technical specifications) shall be applied with several information ages.

8.3.1 Test of the radar overlay

- (a) The radar image shall not be degraded by the chart picture (refer to Chapter 4.3.c of this Section).
- (b) The overlay of information regarding the position and orientation of other vessels shall be only displayed when:
 - the information is up-to-date (nearly real-time) and
 - The age of information does not exceed the maximum time out values provided in the table in 5.1 (e) of section 1, Performance Standard for Inland ECDIS. The symbols shall be marked as outdated, if the age of the information exceeds 30 seconds for moving vessels. The position information of the own vessel shall not be displayed, if it is received from a repeater station.
- (c) The overlay of information derived from tracking and tracing devices regarding the position and orientation of other vessels shall be faded out at a user-definable range.
- (d) The position and the orientation of other vessels by
 - a directed triangle or
 - a true outline (to scale)shall be displayed only when the heading of these other vessels is available. For all other vessels a generic symbol shall be used (a square is recommended, a circle shall be used for inland applications only).
- (e) It shall be possible to switch off the chart and any other information layer and to display only the radar picture by one easily accessible control element or menu area.
- (f) The chart picture shall be renewed not later than the radar picture.

8.3.2 Test of the chart positioning and orientation

- (a) The static offset of the chart position shall be less than ± 5 m in all ranges up to 2,000 m.
- (b) The static azimuth orientation offset error between radar and chart image shall be less than $\pm 0,5$ deg.
- (c) The correction of these parameters shall be demonstrated in the service mode.

- (d) The dynamic deviation of the chart orientation at rates of turn less than ± 60 deg./min shall be less than ± 3 deg.
- (e) These tests shall be performed visually or by evaluation of measured data.

8.3.3 *Test of scale conformity*

The chart's information shall be compared with well-known reference points contained in the radar picture in order to test whether the chart scale sufficiently conforms to the radar scale.

9. **Test of alarms and indications**

- (a) The alarms generated from Inland ECDIS equipment itself as well as the passed alarms delivered by the connected sensors to the ECDIS shall be tested.
- (b) The test procedure shall comprise the following situations:
 - any error in the Inland ECDIS equipment (built-in test equipment - BITE),
 - missing positioning signal,
 - missing radar signal,
 - missing rate of turn signal,
 - missing heading signal,
 - radar map matching not possible.

10. **Test of fall back arrangements**

- (a) This test shall demonstrate the reaction of the Inland ECDIS equipment to a failure of any internal or external component and the possible and required actions by the operator.
- (b) In addition, the operating manual shall be checked to determine whether the measures required by the operator are described adequately and appropriately.

SECTION 4A

MEASURES TO ENSURE SOFTWARE QUALITY

1. General requirements

Software used in **navigation mode** is a safety-relevant part of a navigation system. Providers of navigation systems shall make sure that all software components used in **navigation mode** allow safe navigation in every situation.

1.1 Software design requirements

Software components shall be clearly designed by means of established software design methods. The design specification shall indicate how safety requirements are addressed in the software design.

A software style guide shall be provided that specifies code writing style, documentation style, modularization, conflict analyses and testing of software components. For every software component documents describing specification and design are required.

1.2 Implementation requirements

Implementation of software modules shall be done by qualified developers, fully understanding the design and safety requirements.

If more than one developer is working on the navigation system software, a version control system shall be used that guarantees conflict-free development.

The implementation shall be according to the design specification and shall reflect the software style guide. Moreover, well known implementation problems (depending on the language used) shall be addressed in the implementation. This includes but is not restricted to:

- null pointer handling,
- uninitialised variables,
- range checking,
- array size verification,
- memory allocation and de-allocation,
- exception handling.

If parallel processing is used (e.g. multiple threads, tasks or processes) problems of conflict-free processing shall be addressed in the implementation. This includes but is not restricted to:

- race conditions,
- re-entrance problems,
- priority inversion,
- deadlocks.

1.3 Test requirements

In accordance with the design specification, software modules shall be tested. The test results shall be compared with the design guidelines and documented in test reports.

Tests shall incorporate module as well as system tests. Providers of a navigation system shall use extensive simulator-based tests to ensure stability of their system. The simulator shall allow the simulation of a complete navigation environment including all required external sensors.

1.4 Third party components requirements

Third party components [OEM (original equipment manufacturer) products] include software not developed by the navigation system provider. This includes but is not restricted to

- static or dynamic linked libraries,
- computer aided design and engineering tools producing source or object code,
- operating systems.

Third party software components shall be chosen according to the general safety requirements. The navigation system provider shall prove that third party components meet the high standards necessary for safe navigation either by providing acceptable quality certificates or by extensive and provable testing of the components.

1.5 Requirements for additional services in navigation mode

Navigation systems may support additional services in **navigation mode** if they are useful. These services shall not interfere with **navigation mode**.

The navigation system provider is responsible for additional test equipment, necessary to verify interface specification, protocol specification and compliance tests with the Inland ECDIS technical specifications.

1.6 Language

Additional national versions of a type-approved Inland ECDIS shall reapply for type approval to be checked for the translation of the user interface.

1.7 Documentation requirements for users

The documentation (manuals) shall contain comprehensive information on installation, operation and service of the navigation system. The presentation of user-relevant information shall be made clear, understandable and without unnecessary technical terms. The user manual shall be available in English, French, German and Dutch. The technical documentation may be made available in English only.

2. Methods of testing and required results

2.1 Navigation mode operation test

2.1.1 Performance requirements

The navigation system shall make reliable estimations of position and heading. Moreover, the estimations of position and heading shall be checked by the system for conformity with the required accuracy.

Position and heading information shall be calculated and displayed for the same reference position. This shall normally be the centre of the radar antenna. A new position estimate shall at least be available with every revolution of the radar antenna.

2.1.1.1 Position

The navigation system shall estimate and display the position of the ship. The following minimal requirements shall be fulfilled under normal operation conditions:

- (a) The average position estimation shall not deviate more than 5 meters from the true position and shall cover all systematic errors.
- (b) The standard deviation σ shall be less than 5 meters and shall be based on random errors only.
- (c) The system shall be capable to detect deviations of more than 3σ within 30 seconds.

These results shall be verified by a realistic test of at least 60 min.

2.1.1.2 Heading

The navigation system shall estimate and display the heading of the ship. The following minimal requirements shall be fulfilled:

- (a) The average heading angle estimation shall not deviate more than 1 degree from the radar heading direction and shall cover all systematic errors. The offset between ship heading direction and radar heading shall be less than 1 degree.
- (b) The standard deviation σ shall be less than 2 degrees and shall be only based on random errors.

These results shall be verified by a realistic test of at least 60 min.

2.1.2 Sensor failure

The navigation system shall check proper operation of the position and heading estimation online. Problems shall to be detected within 30 seconds. In case of malfunction, the navigation system shall inform the user about the problem and its consequence for navigation.

If a critical sensor alarm signalizes, that position or heading does not meet the required accuracy, the navigation chart shall be switched off.

2.1.3 *Performance test interface*

A navigation system provider shall equip navigation systems during the compliance test with a standard NMEA interface sending the position and heading information used by the navigation system. This information shall be encoded by NMEA sentences known as GGA and HDT. Additional sentences like RMC, ROT and VTG are accepted.

These strings shall be sent preferably every 0.1 second, at least every second. Position and heading shall be according to the definitions in Chapter 2.1.1.1 and Chapter 2.1.1.2 of this Section.

2.2 **General software tests**

2.2.1 *Equipment documentation*

The following documents shall be provided for admittance and shall be shipped with every navigation system:

- Users manual,
- Installation manual,
- Service manual.

The following documents and files shall be provided during the admittance procedure and are not required for end users:

- design specification,
- software style guide,
- certificates of third party software components or test and simulation protocols.

The documents and files provided shall allow for a complete verification of compliance with the Inland ECDIS technical specifications.

2.2.2 *Endurance test*

The navigation system shall pass an endurance test of 48 hours of uninterrupted operation under normal operation conditions. The system shall provide standard interfaces for performance and resource monitoring during operation. Monitoring the system shall show no indication of system instability, memory leaking or any kind of performance loss over time. Navigation systems supporting additional services while running in **navigation mode** shall provide the necessary test equipment including all documents mentioned in Chapter 1.7 of this Section.

3. Changes to certified systems

3.1 General requirements

Navigation systems installed on board shall be functionally equivalent to a system certified by authorities. For every system the navigation system provider shall ship a statement of compliance with the Inland ECDIS technical specifications and its functional equivalence to the certified system.

The competent authority is entitled to check Inland ECDIS compliance of installed systems at any time.

3.2 Hardware and software changes

The navigation system provider can change software or hardware as long as Inland ECDIS compliance is maintained. Changes shall be fully documented and submitted to the competent authority together with an explanation of how the navigation system is affected by these changes. The competent authority can require a partial or complete renewal of certification if considered necessary. The aforementioned also applies to the use of an approved Inland ECDIS with another national version of the operating system.

The following changes do not affect certification of the system and require only a notice to the competent authority:

- minor changes on third party components (e.g. operation system or library updates),
- use of equivalent or better hardware components (e.g. faster microprocessor, newer chip revisions, equivalent graphic card etc.),
- minor changes in source code or documentation.

2

SECTION 4B

SYSTEM CONFIGURATIONS (Figures)

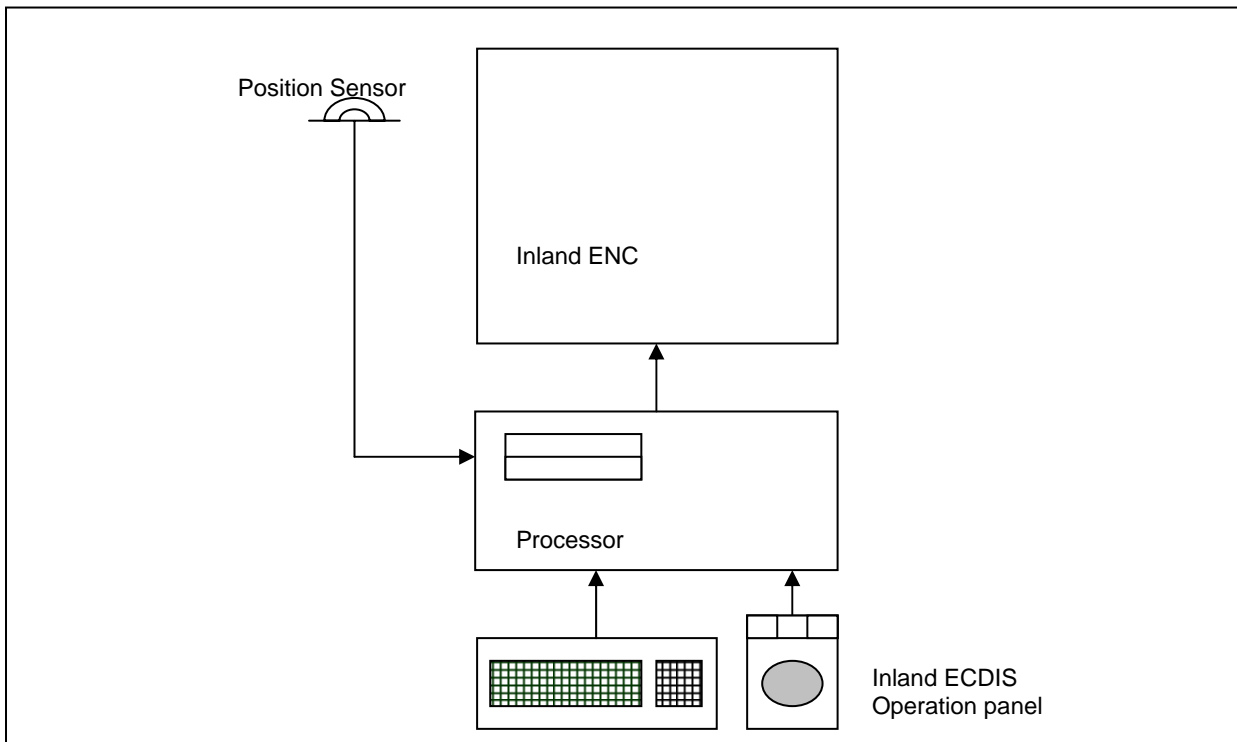


Fig. 1: Inland ECDIS equipment, self-sufficient system without connection to radar

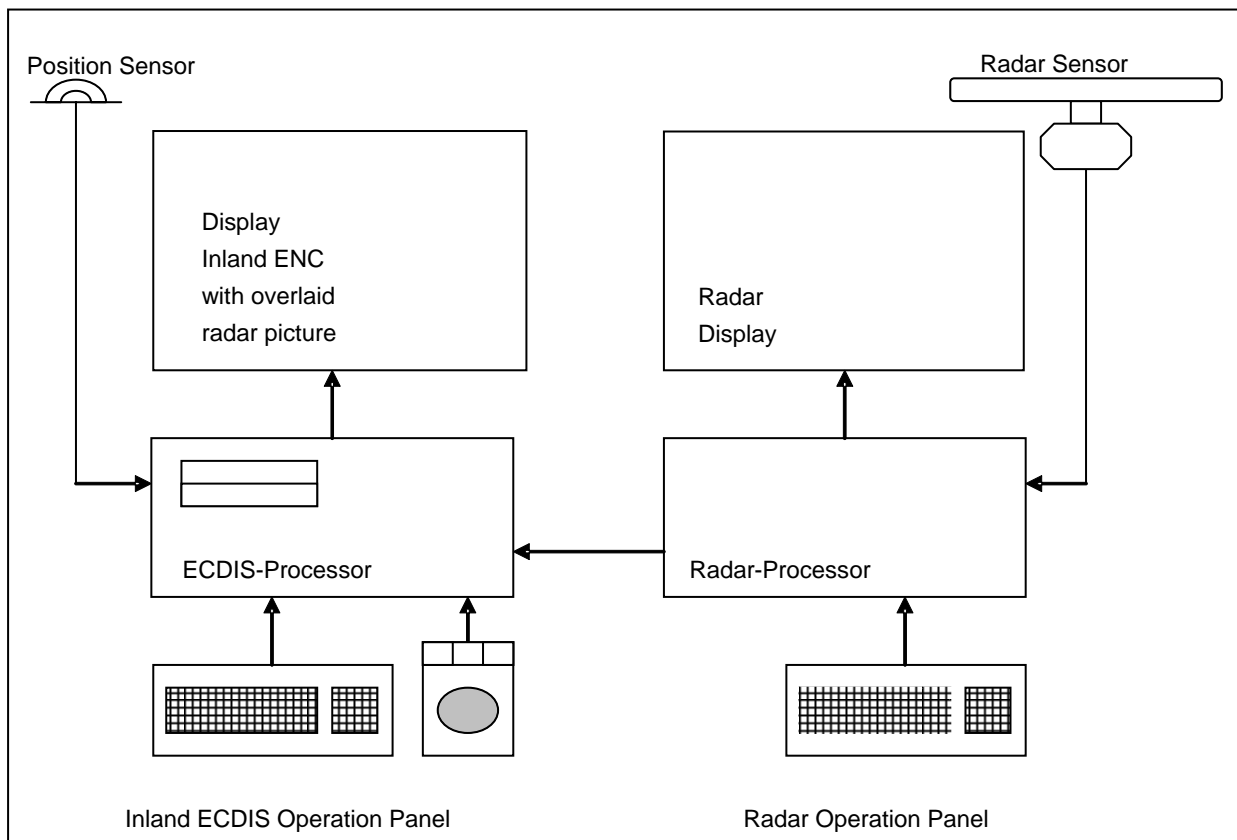


Fig. 2: Inland ECDIS equipment, self-sufficient system with connection to radar

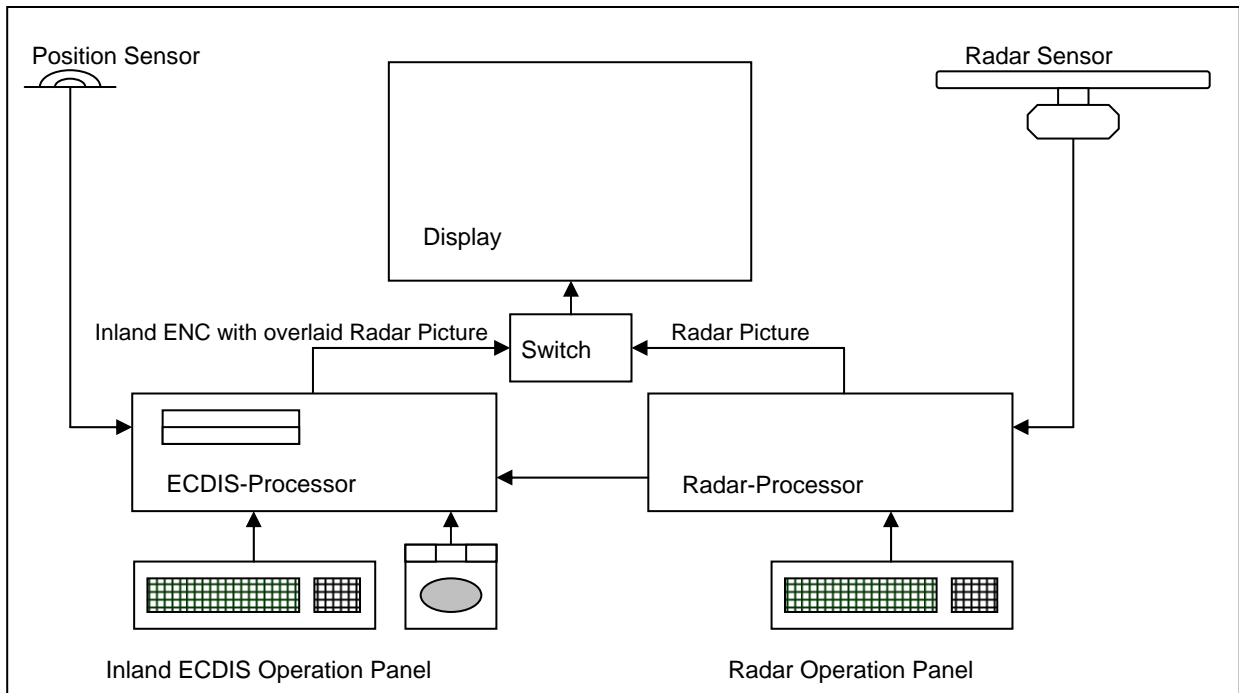


Fig. 3: Inland ECDIS equipment with connection to radar and shared monitor

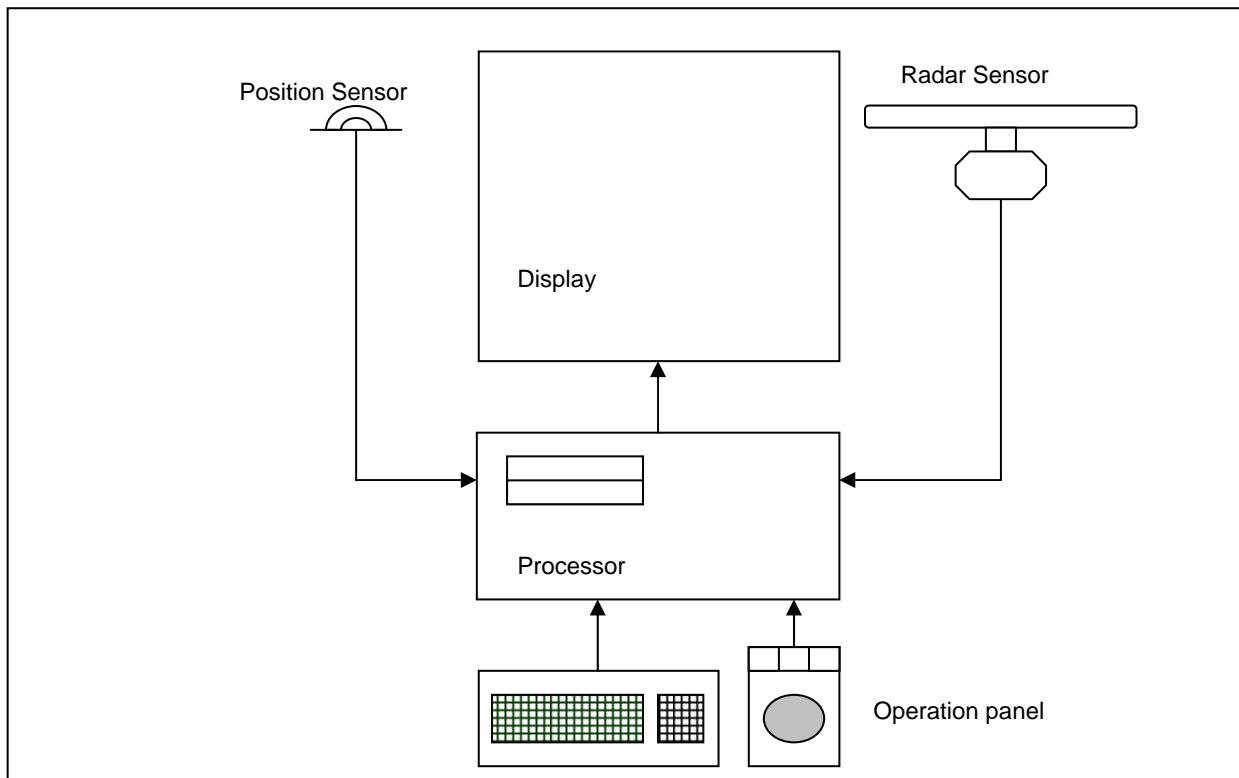


Fig. 4: Navigational radar equipment with integrated Inland ECDIS functionality

SECTION 5: GLOSSARY OF TERMS

Sources

1. IMO Resolution MSC.232(82)
2. IHO S-52 and IHO S-32 Appendix 1 "Glossary of ECDIS-related Terms"
3. IHO S-57 (especially Part 1 "General Introduction", clause 5 "Definitions")
4. Technical Specifications for Inland ECDIS
 - 4.1 Section 1: Performance Standard for Inland ECDIS
 - 4.2 Section 2: Data Standard for Inland ENC
 - 4.3 Section 2a: Codes for Producers and Waterways
 - 4.4 Section 3: Presentation Standard for Inland ECDIS
 - 4.5 Section 4: Operational and Performance Requirements, Methods of Testing and Required Tests Results including its Sections 4A and 4B
5. IENC Domain in the S-100 Registry
6. IEHG Product Specification for Inland ENC
7. IEHG Inland ENC Feature Catalogue
8. IEC Guideline 61174 Edition 3.0
9. Annex IX, Parts III to VI, of EU-Directive 2006/87: Requirements applicable to radar installations and rate-of-turn indicators
10. Commission Regulation (EC) No 414/2007 concerning the technical guidelines for the planning, implementation and operational use of river information services (RIS)
Definitions of the features and attributes can be derived from the Feature Catalogue for Inland ENC (Appendix 1.1 to these technical specifications)

Term or Abbreviation	Definition	Source
Acronym	<p>6-character-code of the feature/of the attribute</p> <p>6-Zeichen-Code des Features/des Attributs</p> <p>Acronyme ; code en 6 caractères de la classe de Feature/de l'attribut</p> <p>6-karakter code van het kenmerk/van het attribuut</p>	3
AIS	<p>Automatic Identification System: An automatic communication and identification system intended to improve the safety of navigation by assisting in the efficient operation of vessel traffic services (VTS), ship reporting, ship-to-ship and ship-to-shore operations.</p> <p>Automatisches Identifizierungssystem: Ein automatisches Kommunikations- und Identifikationssystem zur Verbesserung der Sicherheit der Navigation durch Unterstützung des effizienten Betriebs von Schiffsverkehrsdiensten (Vessel Traffic Services – VTS), bei Schiffsmeldungen, bei Schiff-Schiff und Schiff-Land (Kommunikations-)Vorgängen.</p> <p>Système automatique d'identification; un système automatique de communication et d'identification destiné à améliorer la sécurité de navigation par l'assistance à l'opération efficace de Vessel Traffic Services (VTS), ship reporting, opérations bateau – bateau et bateau – terre.</p> <p>Automatisch identificatie systeem: Een automatisch communicatie en identificatie systeem bedoelt om de veiligheid van de navigatie te verbeteren met assistentie in de efficiënte operatie van Vessel Traffic Services (VTS), scheepsrapportage, schip-schip en schip-wal operaties.</p>	2
All information density	<p>All information density (all display) means the maximum amount of SENC information. Here, in addition to the standard display, also all other objects are displayed, individually on demand.</p> <p>Höchstinformationsdichte (alles) (<i>All information Display</i>) bedeutet den gesamten Informationsumfang der SENC. Hier wird zusätzlich zur Standardinformationsdichte auch der Rest der Objekte - bei Bedarf abgestuft - dargestellt.</p> <p>Densité maximale d'information (maximum) (<i>All information display</i>) ; la densité maximale des informations de la SENC. Outre la densité d'information standard, cette configuration permet d'afficher les autres objets, individuellement si nécessaire.</p> <p>Maximale informatie (alles) betekent de complete hoeveelheid aan SENC informatie. Hier wordt, aanvullend aan de standaardinformatie, ook de rest van de objecten getoond, naar keuze instelbaar.</p>	4.1
Attribute	<p>A defined characteristic of an entity (e.g. the category of a light, the sector limits, the light characteristics etc.).</p> <p>Attribut; definierte Charakteristik einer Einheit (z.B. Kategorie eines Lichtzeichens, Sektorgrenzen, Helligkeitsstufen usw.)</p> <p>Attribut ; la caractéristique définie d'une unité (par ex. la catégorie d'un feu de signalisation, les limites d'un secteur, les caractéristiques de luminosité etc.)"</p> <p>Een gedefiniëerde karakteristiek van een eenheid (bijv. categorie van een licht, de sector grenzen, de licht karakteristieken etc.).</p>	3

Term or Abbreviation	Definition	Source
Attribute copied	<p>S-57/S-100 attributes (with their complete list of attribute values) which were extended according to the requirements of Inland ECDIS. All new attributes have the same name like their source, but written in small case letters.</p> <p>Kopiertes Attribut; S-57/S100-Attribut (mit der kompletten Liste ihrer Attributwerte), das gemäß den Anforderungen von Inland ECDIS erweitert wurde. Alle neuen Attribute haben den gleichen Namen wie das ursprüngliche Attribut, allerdings in Kleinbuchstaben geschrieben.</p> <p>Attribut copié ; attributs S-57/S-100 (avec la liste complète des valeurs d'attributs) étendu conformément aux exigences du système ECDIS intérieur. Tous les nouveaux attributs portent le nom de l'attribut d'origine, mais écrit en minuscules.</p> <p>S-57/S-100 attributen (met de complete lijst van attribuut waarden) die zijn uitgebreid overeenkomstig de eisen van Inland ECDIS. Alle nieuwe attributen hebben dezelfde naam als het oorspronkelijke attribuut, maar worden in kleine letters geschreven.</p>	7
CCNR / ZKR	<p>Central Commission for the Navigation of the Rhine; international commission based on the "Convention of Mannheim". Current Member States are Belgium, France, Germany, The Netherlands and Switzerland. The most important and permanent objectives of CCNR are:</p> <ul style="list-style-type: none"> • Prosperity of inland navigation on the Rhine and in Europe • Maintenance of the high level of safety in inland navigation and the integrity of the environment. <p>Zentralkommission für die Rheinschifffahrt; internationale Kommission auf Basis der "Mannheimer Akte". Derzeitige Mitgliedsstaaten sind Belgien, Frankreich, Deutschland, die Niederlande und die Schweiz. Die wichtigsten dauerhaften Ziele der ZKR sind:</p> <ul style="list-style-type: none"> • Prosperität der Rhein- und der europäischen Binnenschifffahrt • Erhaltung des hohen Sicherheitsstandards der Binnenschifffahrt und der Integrität der Umwelt. <p>Commission Centrale pour la Navigation du Rhin ; Comission internationale basée sur l'"Acte de Mannheim". Etats membres actuels : Allemagne, Belgique, France, Pays-Bas, Suisse. Les principaux objectifs permanents de la CCNR sont :</p> <ul style="list-style-type: none"> • assurer la prospérité de la navigation intérieure sur le Rhin et en Europe • maintenir le niveau élevé de sécurité de la navigation intérieure et de son environnement <p>Centrale Commissie voor de Rijnvaart; internationale commissie gebaseerd op de "Mannheimer Akte". Huidige lidstaten zijn België, Frankrijk, Duitsland, Nederland en Zwitserland. De belangrijkste en permanente doelen van de CCR zijn:</p> <ul style="list-style-type: none"> • Welslagen van binnenvaart op de Rijn en in Europa • Handhaving van hoog niveau van veiligheid van de binnenvaart en haar omgeving. 	
Cell (chart cell)	<p>A cell is a geographical area containing Inland ENC data.</p> <p>Eine Zelle ist ein geografisches Gebiet, das Inland ENC Daten enthält.</p> <p>Cellule (partie de la carte) ; aire géographique contenant des données de CEN Intérieure.</p> <p>Een cel is een geografisch gebied die Inland ENC data bevat.</p>	3
CIE colour calibration	<p>Procedure to confirm that the colour specified in IHO S-52 is correctly reproduced on the ECDIS display.</p> <p>CIE-Farbenkalibrierung; Verfahren zur Gewährleistung, dass die in IHO S-52 Anhang 2 festgeschriebenen Farben korrekt auf dem ECDIS-Bildschirm wiedergegeben werden.</p> <p>Calibrage des couleurs CEI ; Procédure destinée à confirmer que les couleurs spécifiées dans le document OHI-S-52, appendice 2, sont correctement reproduites à l'écran ECDIS.</p> <p>Procedure om vastteleggen dat de in IHO S-52 vastgelegde kleuren correct op het ECDIS-beeldscherm worden weergegeven.</p>	2

Term or Abbreviation	Definition	Source
Collection feature	<p>Type of feature containing information about the relationships between other features.</p> <p>Feature-Typ, der Informationen über Beziehungen von Features untereinander enthält.</p> <p>Collection Feature ; type de Feature contenant des informations relatives aux liens entre d'autres Features.</p> <p>Type van een kenmerk dat informatie bevat over de relatie tussen de andere kenmerken.</p>	3
Compilation scale	<p>The scale with which the chart information meets the IHO requirements for chart accuracy. It is established by the producing Hydrographic office and encoded in the ENC.</p> <p>Kompilations (zusammengetragener, zusammengestellter -) maßstab; der Maßstab, bei dem die Karteninformation exakt die IHO-Anforderungen hinsichtlich der Kartengenauigkeit erfüllt; wird vom Hersteller (hydrografische Behörde) festgelegt und in ENCs verschlüsselt.</p> <p>Echelle de compilation ; l'échelle à laquelle l'information cartographique est parfaitement conforme aux exigences de l'OHI relatives à la précision de la carte. Elle est établie par le fabricant (administration hydrographique) et incorporée sous forme de code dans les CEN.</p> <p>De schaal waarmee de kaart informatie overeenkomt met de IHO eisen voor kaart nauwkeurigheid. Het wordt vastgesteld door de producerende hydrografische autoriteit en in de ENC geïncorporeerd.</p>	6
Datum	<p>A set of parameters specifying the reference surface or the reference coordinate system used for geodetic control in the calculation of coordinates of points on the earth. Commonly datums are defined as horizontal and vertical datums separately. For the practical use of the datum it is necessary to have one or more well distinctive points with coordinates given in that datum.</p> <p>Datensatz, der die Bezugsebene oder das Bezugskordinatensystem festlegt, die/das für die geodätische Überprüfung bei der Berechnung der Koordinaten von Punkten auf der Erde verwendet wird. Gewöhnlich sind Datensätze jeweils als horizontale und vertikale Datensätze definiert. Für die praktische Anwendung der Datensätze ist/sind ein oder mehrere markante (Referenz-) Punkt(e) mit Koordinaten in diesem Datensatz erforderlich.</p> <p>Données ; série de paramètres spécifiant l'aire de référence ou le système des coordonnées de référence utilisés pour le contrôle géodésique lors du calcul des coordonnées de points sur la terre. Les séries de paramètres sont généralement définies en tant que séries horizontales et verticales de paramètres. L'application pratique des séries de paramètres nécessite un ou plusieurs points de référence caractéristiques assortis des coordonnées de cette série de paramètres.</p> <p>Data; een set van parameters die het referentie vlak of het referentie coördinatie systeem gebruikt voor de geodetische controle bij de berekening van coördinaten van punten op de aarde specificeren. Gewoonlijk zijn gegevens gescheiden gedefiniëerd als horizontale en verticale gegevens. Voor het praktische gebruik van de gegevens is het noodzakelijk dat er één of meer onderscheidende punten met coördinaten worden gegeven in die gegevens.</p>	2
Datum, horizontal	<p>A set of parameters specifying the reference for horizontal geodetic control, commonly the dimensions and the location of a reference ellipsoid. (The horizontal datum must be WGS 84.)</p> <p>Datensatz, der den Bezug für die geodätische Überprüfung der horizontalen Koordinaten festlegt, gewöhnlich die Abmessungen und die Lage eines Referenzellipsoids. (Das horizontale Kartendatum muss WGS 84 sein.)</p> <p>Données, horizontal ; une série de paramètres spécifiant la référence pour le contrôle géodésique horizontal, généralement les dimensions et la position d'un ellipsoïde de référence. (Le paramètre horizontal doit être WGS 84).</p> <p>Data, horizontaal; een set van parameters die de referentie voor de horizontale geodetie specificeren, gewoonlijk de dimensies en de plaats van een referentie ellipsoïde (De horizontale gegevens zijn volgens WGS 84)</p>	6

Term or Abbreviation	Definition	Source
Datum, vertical	<p>A surface to which elevations and/or depths (soundings and tide heights) are referred. For elevations commonly a level (equipotential) surface, approximately the mean sea level is used, for depths in many cases low water.</p> <p>Eine Ebene auf die sich Höhen bzw. Tiefen (Peilungen und Tidehöhen) beziehen; für Erhebungen (im Sinne von Höhen) gewöhnlich eine (einheitliche) Oberfläche, meist die Meeresebene (m über Normal Null), für Tiefen meist Niedrigwasser.</p> <p>Données, vertical ; une série de paramètres spécifiant la référence pour le contrôle géodésique horizontal, généralement les dimensions et la position d'un ellipsoïde de référence. (Le paramètre horizontal doit être WGS 84).</p> <p>Data, verticaal; Een vlak waarop zich de hoogte en de diepte (peilingen en getijde hoogte) zich betrekken. Voor verhogingen (in de zin van hoogtes) gewoonlijk een oppervlak, meestal de zeespiegel (m boven NAP), voor diepte meestal laag water.</p>	6
Differential GPS (DGPS)	<p>A form of GPS in which the reliability and accuracy are enhanced by broadcasting a time-varying correction message from a GPS monitoring receiver (differential mode) at a known position on shore. The corrections are fed automatically into the GPS receiver onboard and used to compute an improved position.</p> <p>Eine Form von GPS, bei dem die Zuverlässigkeit und Genauigkeit verbessert werden von der Funkübertragung eines zeitverschobenen Korrektursignals von einem GPS-Empfänger (Differenzanteil, Unterschiedlichkeitsprinzip) mit bekannter Position an Land. Die Korrekturen werden automatisch in den GPS-Empfänger an Bord eingespeist und zur Berechnung einer verbesserten Position verwendet.</p> <p>GPS différentiel (DGPS) ; une forme de GPS avec laquelle la fiabilité et la précision peuvent être améliorés par la transmission radioélectrique d'un signal temporisé de correction d'un récepteur GPS (mode différentiel) pour une position connue par rapport à la surface. Les corrections sont intégrées automatiquement par le récepteur GPS à bord et sont utilisées pour le calcul de la correction de la position.</p> <p>Een vorm van GPS, waarbij de betrouwbaarheid en de nauwkeurigheid beïnvloed wordt door de uitzending van een in tijd variërend correctiesignaal van een GPS ontvanger (differentieel modus) op een bekende positie aan land. De correcties worden automatisch in de GPS ontvanger aan boord geïntegreerd en voor de berekening van een verbeterde positie gebruikt.</p>	4
Display base	<p>Minimum information density; means the minimum amount of SENC information that is presented and which cannot be reduced by the operator, consisting of information that is required at all times in all geographic areas and under all circumstances.</p> <p>Basisanzeige, Mindestinformationsdichte; Mindestumfang an SENC-Information, der dargestellt wird und der durch den Betreiber nicht reduziert werden kann; enthält die Informationen, die jederzeit in sämtlichen geografischen Bereichen und unter allen Umständen erforderlich sind.</p> <p>Base de visualisation, densité minimale d'information ; désigne la quantité minimale d'information SCEN visualisable qui ne peut être réduite par l'utilisateur et contient les informations requises en permanence dans tous les secteurs géographiques et en toutes circonstances.</p> <p>Minimum informatie dichtheid, betekent de minimum hoeveelheid van SENC informatie dat wordt gepresenteerd en dat niet kan worden gereduceerd door de gebruiker; bevat de informatie dat onder alle omstandigheden wordt vereist in alle geografische gebieden.</p>	1
Display scale	<p>The ratio between a distance on the display and a distance on the ground, normalised and expressed as a ratio, e.g. 1:10 000.</p> <p>Anzeigemaßstab; das Verhältnis zwischen der Entfernung auf der Anzeige und der Entfernung auf der Erde, genormt und ausgedrückt als Maßstab, z.B. 1:10 000.</p> <p>Echelle d'affichage ; le rapport entre la distance affichée et la distance réelle, normalisé et exprimé par une échelle, par exemple : 1:10 000.</p> <p>De verhouding tussen een afstand op de weergave en een afstand op de grond, genormaliseerd en uitgedrukt als verhouding, bijv. 1 : 10.000.</p>	2

Term or Abbreviation	Definition	Source
EBL	<p>Electronic Bearing Line</p> <p>Elektronische Peillinie</p> <p>Relèvement électronique</p> <p>Elektrische peilingslijn</p>	4.5
ECDIS	<p>Electronic Chart Display and Information System (ECDIS) means a navigation information system which with adequate back-up arrangements can be accepted as complying with the up-to-date chart required by regulations V/19 and V/27 of the 1974 SOLAS Convention, as amended, by displaying selected information from a system electronic navigational chart (SENC) with positional information from navigation sensors to assist the mariner in route planning and route monitoring, and if required display additional navigation-related information.</p>	1
Edge	<p>A one-dimensional spatial object, located by two or more coordinate pairs (or two connected nodes) and optional interpolation parameters.</p> <p>Schneide, scharfe Kante, Rand, Saum; Eindimensionales räumliches Objekt, festgelegt durch zwei oder mehr Koordinatenpaare (oder zwei verbundene Knoten) und wahlweise Interpolationsparametern.</p> <p>Limite, arête, bord, lisière; objet spatial unidimensionnel représenté sur la base de deux (ou plus) paires de coordonnées (ou par deux points nodaux) et des paramètres optionnels d'interpolation.</p> <p>Rand; een eendimensionaal ruimtelijk object, vastgelegd door twee of meer coördinaten paren (of twee verbonden knooppunten) en optioneel interpolatie parameters.</p>	3
Electronic chart	<p>Very broad term to describe the data, the software, and the electronic system, capable of displaying chart information. An electronic chart may or may not be equivalent to the paper chart required by SOLAS.</p> <p>Elektronische Karte; breitgefächerter Begriff zur Beschreibung der Daten, der Software und des elektronischen Systems für die Fähigkeit, Karteninformationen anzuzeigen. Die elektronische Karte kann aber muss nicht gleich der Papierkarte sein, die SOLAS fordert.</p> <p>Carte électronique; désignation générique utilisé pour la description de données, de logiciels et du système électronique capable d'afficher des informations cartographiques. La carte électronique ne doit pas nécessairement être identique à la carte imprimée exigée par SOLAS.</p> <p>Erg ruime term voor beschrijving van de gegevens, de software en het elektronische systeem, in staat kaart informatie weer te geven. Een elektronische kaart kan of kan niet zijn conform de papieren kaart vereist door SOLAS.</p>	2
ENC	<p>Electronic Navigational Chart; The data base, standardized as to content, structure and format, issued for use with ECDIS on the authority of government authorized hydrographic offices. The ENC contains all the chart information necessary for safe navigation and may contain supplementary information in addition to that contained in the paper chart (eg sailing directions) which may be considered necessary for safe navigation.</p> <p>Elektronische Navigationskarte; Datengrundlage standardisiert nach Inhalt, Aufbau und Form und durch staatliche hydrografische Behörden zur Verwendung von ECDIS herausgegeben; enthält alle für eine sichere Navigation notwendigen Karteninformationen und darf zusätzliche Informationen zu denen, die in der Papierkarte vorhanden sind (z.B. Fahrtrichtungen) enthalten, die als für die sichere Navigation wichtig angesehen werden.</p> <p>CEN ; Carte Electronique de Navigation; base de données standardisée suivant son contenu, sa structure et sa forme et publiée par les administrations hydrographiques nationales en vue de l'utilisation avec le système ECDIS; comporte toutes les informations cartographiques nationales nécessaires pour assurer la sécurité de la navigation et peut contenir des informations s'ajoutant à celles offertes par la carte imprimée (par ex. sens de navigation du bateau) et jugées importantes pour la sécurité de la navigation.</p>	1

Term or Abbreviation	Definition	Source
	<p>Electronische navigatie kaart; de database gestandaardiseerd naar inhoud, opbouw en vorm en door de bevoegde autoriteiten van het hydrografisch bureau uitgegeven voor gebruik met ECDIS. De ENC bevat alle kaart informatie noodzakelijk voor de veilige navigatie en kan aanvullende informatie bevatten ten opzichte van dat wat de papieren kaart bevat (bijv. vaarrichtingen) die mag worden meegewogen noodzakelijk voor de veilige navigatie.</p>	
ENC cell	<p>The geographic division of ENC data for distributing purposes.</p> <p>ENC-Zelle (-Kartenabschnitt, d.A.); der geografische Kartenabschnitt der ENC für einen bestimmten Zweck, z.B. den Vertrieb.</p> <p>Cellule CEN; secteur géographique de la carte CEN réservé à un usage donné.</p> <p>ENC cel; het geografische gedeelte van de ENC voor een bepaald doel.</p>	8
Enumeration	<p>A specific quality or quantity assigned to an attribute (e.g. "leading light", the limiting angles, the code specifying the light's colour – see attribute).</p> <p>Aufzählung / Wert ; eine spezifische Quantität oder Qualität, die einem Attribut zugeordnet ist (z.B. Leitfeuer, die Grenzwinkel, der die Lichtfarbe spezifizierende Code – siehe Attribute).</p> <p>Énumération ; une qualité ou quantité spécifique affectée à un attribut (par ex. "feu de guidage", les angles de délimitation, le code spécifiant la couleur du feu – voir attributs).</p> <p>Opsomming; een specifieke kwaliteit of hoeveelheid toegewezen aan een attribuut (bijv. "bepalend licht", de beperkte hoeken, code die de lichtkleur specificeert – zie attribuut)</p>	7
Exchange format	<p>A specification for the structure and organization of data to facilitate exchange between computer systems.</p> <p>Austauschformat; eine Beschreibung für die Struktur und Organisation von Daten zur Erleichterung des Austausches zwischen Computersystemen.</p> <p>Format d'échange ; une spécification pour la structure et l'organisation de données visant à faciliter l'échange entre des systèmes informatiques.</p> <p>Wissel format; een beschrijving voor de structuur en organisatie van gegevens ter vereenvoudiging van een wisseling tussen computersystemen.</p>	2
Exchange set	<p>Set of files representing a complete, single purpose (i.e. product specific) data transfer. For example, the ENC product specification defines an exchange set which contains one catalogue file and at least one data set file.</p> <p>Austauschsatz; Satz von Dateien für einen kompletten zweckgebundenen (z.B. produktspezifischen) Datentransfer; z.B. definiert die ENC-Produktbeschreibung einen Austauschdatensatz, der eine Katalogdatei und eine Datensatzdatei enthält.</p> <p>Fichier d'échange; série de données pour un transfert de complet et déterminé de données (par ex. spécifique au produit), ainsi, la spécification de produit CEN définit un fichier d'échange comportant un fichier catalogue et un fichier de données.</p> <p>Wisselset; Serie van gegevens voor een complete doelgebonden datatransfer (bijv. product specifiek). Bijv definieert de ENC product specificaties een wisselset die een catalogus bestand en een gegevens bestand bevat.</p>	2

Term or Abbreviation	Definition	Source
Feature	<p>An identifiable set of information. A feature may have attributes and may be related to other features. A digital representation of all or a part of an entity by its characteristics (attributes), its geometry, and (optionally) its relationships to other features (e.g., the digital description of a light sector specifying, amongst others, sector limits, the colour of the light, the visibility range, etc., and a link to a light tower, if any).</p> <p>Ein identifizierbarer Satz von Informationen. Ein Feature kann Attribute haben und auf andere Features bezogen sein. Digitale (Daten und Informationen in Zeichenform enthaltende) Darstellung von Gegenständen (zu Gänze oder Teile davon) mit ihren Charakteristiken (Attribute), ihrer Geometrie, und wahlweise in ihrer Beziehung zu anderen Merkmalen (z.B. verschlüsselte Beschreibung eines Leuchtfeuersektors, mit unter anderem Sektorgrenzen, Farbe des Lichts, Reichweite der Sichtbarkeit, Verbindung mit einem Leuchtturm).</p> <p>Feature ; une série identifiable d'informations. Une Feature peut avoir des attributs ou se référer à d'autres Features. Une représentation digitale de l'intégralité ou d'une partie d'une entité par ses caractéristiques (attributs), sa géométrie et, en option, ses liens avec d'autres attributs (par exemple la description digitale d'un secteur présentant des feux, spécifiant notamment les limites du secteur, la couleur des feux, sa distance de visibilité etc. ainsi qu'un lien vers un phare s'il existe.</p> <p>Kenmerk; een identificeerbare set van informatie. Een kenmerk kan attributen hebben en kan in verband staan met andere kenmerken. Een digitale voorstelling van alle of een gedeelte van een entiteit door de karakteristieken (attributen), de geometrie en (optioneel) de verhouding tot andere kenmerken (bijv., de digitale beschrijving van een sectorlicht specificerend, onder andere, sector grenzen, de kleur van het licht, de zichtbaarheid, etc. en een schakel met de vuurtoren, als die er is).</p>	2
Feature catalogue	<p>The comprehensive list of currently identified features, attributes and enumerations which are allowed for the use in Inland ENC's.</p> <p>Feature Katalog, Zusammenfassung aller derzeit identifizierten Features, Attribute und deren Werte, die für die Verwendung in Inland ENC zugelassen sind.</p> <p>Feature Catalogue ; la liste complète des Features, attributs et énumérations actuellement identifiés et admis pour une utilisation dans les CEN Intérieure.</p> <p>Kenmerkcatalogus; de uitgebreide lijst van gangbaar geïdentificeerde kenmerken, attributen en opsomming die zijn toegestaan voor het gebruik van ENC's.</p>	7
Feature copied	<p>S-57 features (with their complete set of attributes) which were extended according to the requirements of Inland ECDIS. All new features have the same name like their source, but are written in small case letters.</p> <p>Kopiertes Feature; S-57 Feature (mit ihrem kompletten Satz von Attributen) erweitert gemäß den Anforderungen von Inland ECDIS. Alle neuen Feature haben den gleichen Namen wie ihr Ursprung, sind allerdings in Kleinbuchstaben geschrieben.</p> <p>Feature copiée ; features S-57 (avec leurs séries complètes d'attributs) qui ont été étendus conformément aux exigences du système ECDIS Intérieur. Toutes les nouvelles Features possèdent le même nom que leur source mais s'écrivent en lettres minuscules.</p> <p>Gekopiëerde kenmerk; S-57 kenmerken (met de complete set van attributen) die worden verspreid volgens de eisen van Inland ECDIS. Alle nieuwe kenmerken hebben dezelfde naam als hun bron, maar worden geschreven in kleine letters.</p>	7
Feature Dictionary	<p>A feature data dictionary specifies independent sets of features and attributes that may be used to describe geographic information in a particular context. A feature data dictionary may be used to develop a feature catalogue.</p> <p>Ein Featuredatenbeschreibungsverzeichnis spezifiziert unabhängige Sätze von Features und Attributen, die zur Beschreibung geografischer Informationen in einem bestimmten Zusammenhang benutzt werden können.</p> <p>Dictionnaire des données de Features ; définit des séries indépendantes de Features et attributs pouvant être utilisées pour décrire des informations géographiques dans un contexte particulier.</p>	

Term or Abbreviation	Definition	Source
	<p>Een kenmerk gegevens woordenboek specificeert onafhankelijke sets van kenmerken en attributen die kunnen worden gebruikt om geografische informatie in een afzonderlijke context te beschrijven.</p> <p>Een kenmerk gegevens woordenboek kan worden gebruikt om een kenmerk catalogus te ontwikkelen.</p>	
File	<p>An identified set of S-57 records collected together for a specific purpose. The file content and structure must be defined by a product specification.</p> <p>Datei; ein übereinstimmender Satz von S-57-Aufzeichnungen, zusammengestellt für einen bestimmten Zweck; Inhalt und Aufbau müssen durch eine Produktbeschreibung definiert sein.</p> <p>Fichier ; une série d'enregistrements S-57 compilée pour un usage donné; le contenu et la structure doivent être définis par une spécification de produit.</p> <p>File; een overeenstemmende set van S-57 gegevens, samengesteld voor een speciaal doel; Inhoud en opbouw moeten door een productbeschrijving gedefinieerd worden.</p>	2
Geo Feature	<p>Type of feature containing the descriptive characteristics of a real world entity.</p> <p>Eine Art des Features; enthält beschreibende Eigenschaften der realen Welt.</p> <p>Géo Feature ; un type de Feature caractéristique; contient les caractéristiques descriptives du monde réel.</p> <p>Type van kenmerk die de beschrijvende karakteristieken van de werkelijke wereld entiteit bevat</p>	2
Geometric Primitive	<p>One of three basic geometric units of representation: point, line and area.</p> <p>Geometrisches Grundelement; eines der drei geometrischen Darstellungselemente: Punkt, Linie und Fläche.</p> <p>Elément géométrique de base; l'une des trois unités géométriques de représentation : point, ligne et aire.</p> <p>Geometrisch basiselement; een van de drie weergave elementen: punt, lijn en vlak.</p>	2
Heading	<p>The direction in which the longitudinal axis of a craft is pointed, usually expressed as an angular distance from north clockwise through 360 degrees (true, magnetic or compass).</p> <p>Fahrtrichtung / Steuerkurs; Richtung in die die Längsachse eines Schiffes zeigt; üblicherweise ausgedrückt in Grad (°) abweichend von Nord im Uhrzeigersinn durch 360 Grad (tatsächlich, magnetisch oder Kompass).</p> <p>Sens de navigation ; sens dans lequel pointe l'axe longitudinal d'un bateau, généralement exprimé e,n distance angulaire à 360 ° en sens horaire par rapport au nord (effectif, magnétique ou du compas).</p> <p>Vaarrichting; De richting waarin de lengte as van een schip wijst; gewoonlijk uitgedrukt in een hoekafstand van het noorden middels 360 ° Daadwerkelijk, magnetische of Kompas) aanpassen.</p>	2
Head-up display	<p>The information shown on the display (radar or ECDIS) is directed so that the vessel's heading is always pointing upward. This orientation corresponds to the visual view from the bridge in direction of the ship's heading. This orientation may require frequent rotations of the display contents. Changing the ship's course, or yawing of the vessel may render this unstabilized orientation mode unreadable.</p> <p>Kurs-Voraus-Anzeige; die Bildschirmanzeige (Radar oder ECDIS) ist so ausgerichtet, dass der (Steuer-)Kurs des Schiffes immer nach oben zeigt. Diese Ausrichtung stimmt mit dem Ausblick von der (Schiffs-)Brücke in Kursrichtung des Schiffes überein. Diese Ausrichtung kann häufige Drehungen des Anzeigeninhaltes erfordern. Änderungen des Schiffskurses oder plötzliches Gieren können dazu führen, dass diese instabile Ausrichtungsart unlesbar wird.</p>	2

Term or Abbreviation	Definition	Source
	<p>Affichage cap à l'avant ; affichage à l'écran (radar ou ECDIS) orienté de façon à ce que le cap du bateau pointe toujours vers le haut de l'écran. L'orientation correspond à la vue depuis le pont (du bateau) dans le sens de navigation. Cette orientation peut nécessiter de fréquentes rotations du contenu affiché. La modification du cap ou un virage soudain peuvent rendre illisible ce mode d'orientation instable.</p> <p>Koersvoor weergave; Een beeldschermweergave (radar of ECDIS) is zo ingricht dat de koers van het schip altijd naar boven wijst. Deze orientatie stemt overeen met het uitzicht vanuit de stuurhut in de koersrichting van het schip. Deze orientatie kan frequente draaiing van het beeld vereisen. Veranderingen van de scheepskoers, of plotseling gieren kan deze instabiele orientatie onleesbaar weergeven.</p>	
IEC	<p>International Electrotechnical Commission: An international (non-governmental) organization which produces world standards for electrical and electronical engineering with the objective of facilitating international trade.</p> <p>Internationale Elektrotechnische Kommission; internationale (regierungsunabhängige) Organisation, die weltweite Standards für Elektrik und Elektrotechnik zur Erleichterung des internationalen Handels herausgibt.</p> <p>Commission Electrotechnique Internationale ; une organisation internationale (non gouvernementale) de normalisation sur le plan mondial dans le domaine de l'électricité et de l'électrotechnique visant à faciliter le commerce international.</p> <p>Internationale elektronische commissie; Een internationale organisatie (niet regeringsgebonden) die wereldwijd standaarden voor electriciteit en elektrotechniek voor vereenvoudiging van de internationale handel uitgeeft.</p>	2
IHO	<p>International Hydrographic Organization: Coordinates the activities of national hydrographic offices; promotes standards and provides advice to developing countries in the fields of hydrographic surveying and production of nautical charts and publications.</p> <p>Internationale Hydrografische Organisation; koordiniert die Aktivitäten der nationalen hydrografischen Institutionen, verbreitet Standards und berät Entwicklungsländer auf dem Gebiet der hydrografischen Vermessung und Produktion von nautischen Karten und Veröffentlichungen.</p> <p>Organisation hydrographique internationale; coordonne les activités des institutions hydrographiques nationales, publie des standards et conseille des pays en voie de développement dans le domaine de l'étude hydrographique ainsi que de la production de cartes nautiques et de publications.</p> <p>Internationale hydrografische organisatie; coordineert de activiteiten van de nationale instituten, bevordert standaarden en geeft advies aan ontwikkelingslanden op het gebied van hydrografische metingen en productie van nautische kaarten en publicaties.</p>	2
IHO registry	IHO Geospatial Information Infrastructure Registry. A registry is the information system on which a register is maintained. In the case of S-100 IHO hosts a registry that provides a facility to store various registers of hydrographic-related information.	5
(IHO-) S-32, App. 1	Hydrographic Dictionary - Glossary of ECDIS Related Terms.	2
(IHO-) S-52	<p>Specifications for chart content and display aspects of ECDIS.</p> <p>Beschreibung für Karteninhalt und Gesichtspunkte der Darstellung von ECDIS.</p> <p>Spécification du contenu des cartes et des aspects de visualisation ECDIS.</p> <p>Specificaties voor de kaartinhoud en de aspecten van de weergave van kaarten.</p>	2

Term or Abbreviation	Definition	Source
(IHO-) S-52 App. 1	Guidance on updating the Electronic Navigational Chart Leitlinie für das Aktualisieren der ENC der IHO. Lignes directrices pour l'actualisation des CEN de l'OHI. Richtlijnen voor actualisering van de ENC	2
(IHO-) S-57	IHO Transfer standard for digital hydrographic data. IHO-Übertragungsstandard für digitale hydrografische Daten. Norme de l'OHI pour la transmission digitale de données hydrographiques. IHO overdrachtsstandaard voor de digitaler hydrografische kaarten.	3
(IHO-) S-57 App. A	IHO Object Catalogue. IHO-Objektkatalog für ECDIS. Catalogue d'objets de l'OHI pour le système ECDIS. IHO objecten catalogus	3
(IHO-) S-57 App. B	ENC Product Specifications. Produktbeschreibung für ENC. Spécification de produit pour les CEN. Product beschrijvingen voor ENC gegevens.	3
(IHO-) S-62	ENC Producer Codes Codes für Hersteller von ENC. Codes de fabricants de CEN ENC producenten codes	
IMO	International Maritime Organization: Formerly called IMCO, the IMO is the specialized agency of the United Nations responsible for maritime safety, efficiency of navigation and prevention of marine pollution from ships. Internationale Seefahrtskommission; früher IMCO, die IMO ist die Behörde der Vereinten Nationen, die sich mit der Sicherheit und Wirtschaftlichkeit der Navigation auf See und der Verhütung von Meeresverschmutzung durch Schiffe befasst.	2

Term or Abbreviation	Definition	Source
	<p>Organisation Maritime Internationale ; anciennement IMCO, l'OMI est l'autorité des Nations-Unies chargée de la sécurité et de la rentabilité de la navigation maritime et de la prévention de la pollution marine.</p> <p>Internationale Maritime Organisatie; vroeger IMCO; de IMO is de autoriteit van de Verenigde naties, verantwoordelijk voor de veiligheid en de efficiëntie van de navigatie ter zee en voorkoming van de mariene vervuiling vanaf schepen.</p>	
Information Mode	<p>means the use of the Inland ECDIS for information purposes only without overlaid radar image.</p> <p>Informationsmodus; Verwendung des Inland ECDIS nur für Informationszwecke ohne überlagertes Radarbild.</p> <p>Mode information; utilisation du système ECDIS intérieur limitée à l'information sans superposition de l'image radar.</p> <p>Informatiemodus; Gebruik van de Inland ECDIS alleen voor informatie doeleinden zonder overlapt radarbeeld.</p>	4.1
Inland AIS	<p>AIS for the use in inland navigation and interoperable with (maritime) AIS – technically enabled by amendments and extensions to the (maritime) AIS</p> <p>AIS für die Nutzung in der Binnenschifffahrt und interoperabel mit dem (maritimen) AIS – technisch ermöglicht durch Ergänzungen und (technischen) Erweiterungen des (maritimen) AIS.</p> <p>AIS Intérieur ; AIS utilisé en navigation intérieure, interoperable avec l'AIS maritime – adapté sur le plan technique par des modifications et extensions de l'AIS maritime</p> <p>AIS voor het gebruik in de binnenvaart en interoperabel met (maritieme) AIS – technisch in staat gesteld door aanvullingen en uitbreidingen van de (maritieme) AIS.</p>	
Inland ECDIS	<p>An Electronic Chart Display and Information System for inland navigation, displaying selected information from a Inland System Electronic Navigational Chart (Inland SENC) and optionally, information from other navigation sensors.</p> <p>Binnen-ECDIS; System zur elektronischen Darstellung von Karten der Binnenwasserstraßen und damit verbundenen Informationen, das ausgewählte Informationen aus einer herstellereigenen elektronischen Binnenschifffahrtskarte (Inland SENC) und wahlweise Informationen anderer Messwertgeber des Schiffes darstellt.</p> <p>ECDIS intérieur ; système électronique d'affichage de cartes des voies de navigation intérieure et des informations connexes présentant des informations sélectionnées à partir d'une carte électronique de navigation intérieure configurée par le fabricant (SCEN Intérieure) ainsi que des informations fournies par d'autres appareils de mesure du bateau.</p> <p>Binnen ECDIS; Systeem voor de elektronische weergave van binnenvaartkaarten en de daaraan verbonden informatie, die geselecteerde informatie uit een specifiek geproduceerde elektronische binnenvaartkaart (Inland SENC) en ter keuze informatie van andere navigatie sensoren weergeeft.</p>	4.1
Inland ENC	<p>Inland Electronic Navigational Chart (IENC) means the database, standardized as to content, structure and format, for use with inland electronic chart display and information systems operated onboard of vessels transiting inland waterways. An IENC is issued by or on the authority of a competent government agency, and conforms to standards initially developed by the International Hydrographic Organization (IHO) and refined by the Inland ENC Harmonization Group. An IENC contains all the chart information necessary for safe navigation on inland waterways and may contain supplementary information in addition to that contained in the paper chart (e.g. sailing directions, machine-readable operating schedules, etc) which may be considered necessary for safe navigation and voyage planning</p>	4.1

Term or Abbreviation	Definition	Source
Inland ENC domain	Domain within the IHO Geospatial Information Infrastructure Registry dedicated for Inland ENC – related entries.	
Inland SENC	<p>Inland System Electronic Navigational Chart: A database resulting from the transformation of the Inland ENC by Inland ECDIS for appropriate use, updates to the Inland ENC by appropriate means and other data added by the mariner. It is this database that is actually accessed by the Inland ECDIS for the display generation and other navigational functions. The Inland SENC may also contain information from other sources.</p> <p>Herstellerspezifische Elektronische Binnenschiffahrtskarte; Datenbank, die sich aus der Transformation von Inland ENC durch Inland ECDIS für eine geeignete Anwendung ergibt und die durch Aktualisierungen der Inland ENCs mit geeigneten Mitteln und außerdem durch Daten des Schiffsführers ergänzt ist; Datenbank, auf die tatsächlich durch Inland ECDIS für die Erzeugung der Darstellung und anderer nautischer Funktionen zugegriffen wird. Inland-SENC kann auch Informationen aus anderen Quellen enthalten.</p> <p>Carte électronique pour la navigation intérieure configurée par le fabricant (SCEN) ; une base de données résultant de la transformation de la CEN intérieure par le système ECDIS intérieur en vue d'une utilisation appropriée et complétée par l'actualisation des CEN intérieure par des moyens appropriés et par des données ajoutées par le batelier; base de données effectivement consultée par le système ECDIS intérieur pour l'élaboration des données affichées et pour d'autres fonctions nautiques. La SCEN intérieure peut aussi contenir des informations provenant d'autres sources.</p> <p>Specifiek elektronische binnenvaartkaarten voor de navigatie; een databank, die het resultaat is van de transformatie van Inland ENC door Inland ECDIS voor een beplaad gebruik en die door actualisering van de Inland ENC met geëigende middelen en bovendien met data van de schipper aangevuld. Deze databank wordt feitelijk gebruikt door Inland ECDIS voor de ontwikkeling van de weergave en de andere nautische functies. De SENC kan ook informatie uit andere bronnen bevatten.</p>	4.1
INT 1	<p>International chart 1: Specification of symbols, abbreviations and terms to be used in the International Chart Series of IHO. (Provides the chart user with a key to symbols, abbreviations and terms used on charts compiled in accordance with the "Chart Specifications of the IHO").</p> <p>Contains description entries for features and attributes. Can be seen as the reference to the legend of paper charts.</p> <p>Internationale Karte 1: Spezifizierung von Symbolen, Abkürzungen und Begriffen zur Verwendung in der Internationalen Kartenreihe der IHO. (Versieht die Kartennutzer mit einem Schlüssel zu den Symbolen, Abkürzungen und Begriffen, der in im Einklang steht mit den gemäß „Kartenspezifizierung der IHO“ zusammengestellten Karten.</p> <p>Enthält Beschreibungen des Eintrages für Feature und Attribute. Kann als Referenz zu der Legende für Papierkarten angesehen werden.</p> <p>Carte internationale 1 : spécification de symboles, abréviations et termes à utiliser dans les séries de cartes internationales de l'OHI (fournit à l'utilisateur de la carte une description des symboles, abréviations et termes utilisés dans les cartes réalisées suivant les "Spécifications relatives aux cartes de l'OHI". Contient des descriptions de Features et d'attributs. Peut être considéré comme équivalent aux légendes des cartes imprimées.</p> <p>Internationale kaart 1: Specificatie van symbolen, afkortingen en termen voor het gebruik in de internationale serie kaart en van de IHO. (Voorziet de kaart gebruiker van een sleutel tot de symbolen, afkortingen en termen gebruikt op kaarten samengesteld in overeenstemming met de "Kaart specificaties van de IHO")</p> <p>Bevat beschrijvende toelichtingen voor kenmerken en attributen. Kan worden gezien als een referentie voor de legenda van de papieren kaarten.</p>	2

Term or Abbreviation	Definition	Source
Integrated display	<p>means a head-up, relative-motion picture consisting of the Inland SENC overlaid with the radar-image with matching scale, offset and orientation.</p> <p>Integrierte Darstellung; vorausorientiertes, relativ zum Schiff bewegtes Bild, bestehend aus der Inland-SENC und überlagert mit dem Radarbild mit angepasstem Maßstab, Exzentrizität und Ausrichtung.</p> <p>Visualisation intégrée; une image verticale de mobilité relative par rapport à la terre fournie par la SCEN intérieure, à laquelle est superposée une image radar aux paramètres d'échelle, de distance et d'orientation adaptées.</p> <p>Geïntegreerde weergave; vooruitgeoriënteerd, relatief t.o.v. het schip bewegend beeld, bestaande uit de Inland SENC bedekt met het radarbeeld met aangepaste schaal, excentriciteit en orientatie.</p>	4.1
Look-up table	<p>A table giving symbology instructions to link SENC objects to point, line or area symbolisation and providing display priority, radar priority, IMO category and optional viewing group.</p> <p>Look-up-Tafel (Übersichtstafel, Nachschlagetafel); eine Tabelle, die Symbolisierungsanweisungen zur Verbindung von SENC Einträgen mit Punkten, Linien oder Flächensymbolisierungen gibt und Anzeigeprioritäten, Radarpriorität, IMO Kategorie und optionale Abbildungsgruppe enthält.</p> <p>Table de recherche ; table fournissant des instructions de symbolisation pour l'association d'objets SCEN à des points, lignes ou symbolisations d'aires et spécifiant les priorités d'affichage, la priorité radar, la catégorie OMI et le groupe optionnel de visualisation.</p> <p>Weergavetabellen; een tabel weergave van symbolische instructie om SENC objecten te verbinden aan punten, lijnen en gebieds symbolen en stelt de weergave prioriteit, radar prioriteit, IMO categorie en optioneel afbeeldingsgroep vast</p>	2
M-4	<p>Gives chart specifications of the IHO for compiling nautical charts, together with agreed symbols and abbreviations adopted for general use by Member States. Provides also regulations for INT Charts.</p> <p>Contains description entries for features and attributes.</p> <p>Gibt Kartenspezifikationen der IHO für die Erstellung von Seekarten, zusammen mit abgestimmten Symbolen und Abkürzungen, die für die allgemeine Nutzung durch Mitgliedsstaaten angenommen wurden. Enthält auch Regeln für INT Karten.</p> <p>Enthält beschreibende Einträge für Feature und Attribute.</p> <p>Contient les spécifications cartographiques de l'OHI pour la réalisation de cartes nautiques avec les symboles et abréviations adoptés pour une utilisation générale par les Etats membres. Contient également des dispositions pour les cartes INT. Contient des descriptions pour les Features et les attributs.</p> <p>Geeft kaart specificaties van de IHO voor het samenstellen van nautische kaarten, samen met overeengekomen symbolen en afkortingen aangenomen vooe het algemeen gebruik door lidstaten. Stelt ook eisen voor INT kaarten.</p> <p>Bevat beschrijvende toegangen voor kenmerken en attributen.</p>	3
Meta feature	<p>A feature which contains information about other features.</p> <p>Meta Feature; ein Feature, das Informationen über andere Feature enthält.</p> <p>Metaobjet ; une Feature contenant des informations relatives à d'autres Features.</p> <p>Metaobject; een kenmerk dat informatie bevat over andere kenmerken.</p>	2

Term or Abbreviation	Definition	Source
Navigation Mode	<p>Means the use of the Inland ECDIS for conning the vessel with overlaid radar image.</p> <p>Navigationsmodus; Verwendung des Inland ECDIS beim Steuern des Schiffes mit überlagertem Radarbild.</p> <p>Mode navigation ; l'utilisation du système ECDIS intérieur pour la conduite du bateau avec superposition de l'image radar.</p> <p>Navigatie modus; het gebruik van Inland ECDIS bij het sturen van het schip met overlapt radarbeeld.</p>	4.1
North-up display	<p>Information shown on the display (radar or ECDIS) with the north direction upward.</p> <p>nordorientierte Anzeige ; auf dem (Radar oder ECDIS) Bildschirm angezeigte Informationen mit Norden nach oben.</p> <p>Affichage au nord ; Information affichée à l'écran (radar ou ECDIS) avec orientation au nord en haut de l'écran.</p> <p>Weergave van north-up; informatie getoond op de monitor (radar of ECDIS) met de noord richting naar boven.</p>	2
Other navigational information	<p>Navigational Information not contained in the SENC, that may be displayed by an ECDIS, such as radar information.</p> <p>Nautische Information, die nicht in der SENC enthalten ist, aber durch ECDIS angezeigt werden kann, wie Radarinformation.</p> <p>Autre information nautique ; information nautique non contenue dans la SCEN mais pouvant être affichée par le système ECDIS, par exemple l'information radar.</p> <p>Nautische informatie, die niet in de SENC is opgenomen, maar door ECDIS kann worden weergegeven, zoals radarinformatie.</p>	2
Overscale	<p>Displaying data at a larger scale than it was compiled for.</p> <p>Datenanzeige in einem größeren Maßstab als ursprünglich bei der Herstellung benutzt.</p> <p>Overscale ; affichage de données à une échelle supérieure à celle retenue lors de la réalisation.</p> <p>Gegevens weergave in een grotere schaal dan waarvoor het was gemaakt</p>	2
Own-ship	<p>The term which identifies the vessel upon which an ECDIS is operating.</p> <p>Eigenes Schiff; Begriff für das Schiff auf dem man sich gerade befindet und auf dem ECDIS ausgeführt wird.</p> <p>Propre bateau ; désigne le bateau sur lequel se trouve l'opérateur et à bord duquel le système ECDIS est en cours d'utilisation.</p> <p>Eigen schip; de term die het schip identificeert waarop man zich bevindt en waarop de ECDIS werkzaam is.</p>	2
Own ship's safety contour	<p>The contour related to the own ship selected by the mariner from the contours provided for in the SENC, to be used by ECDIS to distinguish on the display between the safe and the unsafe water, and for generating anti-grounding alarms.</p> <p>Schiffseigene Sicherheitskontur, Sicherheitstiefenlinie; die Tiefenlinie, die der Schiffsführer von den Konturen ausgewählt hat, die in der SENC enthalten sind; verwendet, um auf der ECDIS-Anzeige zwischen sicherem und unsicherem Fahrwasser unterscheiden zu können und zum Erzeugen von Fehltiefen-Alarmen.</p>	2

Term or Abbreviation	Definition	Source
	<p>Contours de sécurité du propre bateau ; ligne de profondeur de sécurité; la ligne de profondeur sélectionnée par le batelier en fonction de l'enfoncement de son propre bateau parmi les lignes de profondeur disponibles dans la SCEN; utilisé afin de faire la distinction dans le système ECDIS entre les eaux sûres ou présentant un risque et pour la génération d'alarmes en présence de hauts-fonds.</p> <p>Veiligheidscontour van het eigen schip, die de schipper uit de dieptelijnen in de SENC heeft gekozen, om te worden gebruikt in ECDIS om bij de weergave veilig en onveilig vaarwater te kunnen onderscheiden en om alarmen te genereren te oorkoming van aan de grondlopen.</p>	
Performance standard for ECDIS	<p>Standard developed under the authority of IMO to describe the minimum performance requirements for navigational devices and other fittings required by the SOLAS Convention. Adopted by IMO on 5 December 2006 and published as MSC.232(82).</p> <p>Leistungsstandard für ECDIS; unter Federführung der IMO entwickelter Standard zur Beschreibung der Mindestleistungsanforderungen für Navigationsgeräte und andere Ausrüstungen laut Anforderung aus der SOLAS-Vereinbarung.</p> <p>Standard de performances pour ECDIS ; standard élaboré dans le cadre de l'OMI pour décrire les exigences minimales relatives aux performances pour les appareils de navigation et d'autres équipements conformément aux exigences de la convention SOLAS.</p> <p>Standaard ontwikkeld onder de bevoegdheid van de IMO om de minimum voorstellingen vereisten voor navigatie middelen en andere hulpmiddelen vereist door de SOLAS Conventie.</p> <p>Geadopteerd door de IMO 23 november 1995 als Assembly resolutie en gepubliceerd als bijlage bij de IMO resolutie A 19/ Res 817 (15 december 1995).</p>	2
Pick report (feature report)	<p>The result of querying a displayed point-symbol, line or area for further information from the data base which is not represented by the symbol.</p> <p>Auswahl-Bericht, Feature-Bericht; das Ergebnis einer Datenbankabfrage bzgl. dargestellter Punkt-Symbole, Linien oder Flächen, um weitere Informationen zu gewinnen, die nicht unmittelbar aus der Darstellung entnehmbar sind.</p> <p>Pick report ; résultat de la consultation d'un symbole, un point, une ligne ou une aire, pour l'obtention à partir de la base de données d'informations supplémentaires non fournies par le symbole.</p> <p>Kenmerkbericht; het resultaat van de bevraging van een weergegeven punt symbool, lijn of gebied voor verdere informatie van de database die niet wordt weergegeven door een symbool.</p>	2
Presentation library for ECDIS	<p>A set of mostly digital specifications, composed of symbol libraries, colour schemes, look-up tables and rules, linking every feature and attribute of the SENC to the appropriate presentation of the ECDIS display. Published by IHO as Annex A Special Publication No. 52 (S-52).</p> <p>Darstellungsbibliothek für ECDIS; Satz von meist in Zeichen und Zahlen verschlüsselten Anforderungen, zusammengestellt aus Symbolbibliotheken, Farbschemata, Nachschlagetafeln und Regeln, der jedes Feature und jedes Attribut der SENC zu einer nach IHO-S-57, Anhang 2 geeigneten Darstellung in der ECDIS-Anzeige verkettet.</p> <p>Bibliothèque des visualisations pour ECDIS ; série d'exigences généralement codées en signes et en lettres, composées à partir de bibliothèques de symboles, de schémas de couleurs, de tables de recherche et de règles, associant chaque Feature et attribut de la SCEN à une représentation appropriée affichée par le système ECDIS conformément à l'appendice 2 au document S-57 de l'OHI.</p> <p>Weergave bibliotheek; een set van digitale specificaties, samengesteld uit symboolbibliotheken, kleurenschema's, naslagtabellen en regels, die elke objectenklasse en elk attribuut van de SENC voor de geeigende weergave van het ECDIS systeem, gepubliceerd door de IHO als appendix 2, S 52</p>	2

Term or Abbreviation	Definition	Source
Product specification	<p>A defined subset of the entire specification combined with rules, tailored to the intended usage of the transfer data.</p> <p>(The ENC Product specification specifies the content, structure and other mandatory aspects of an ENC.)</p> <p>(Die ENC Produktbeschreibung spezifiziert den Inhalt, die Struktur und andere Erfordernisse einer ENC.)</p> <p>Spécification de produit ; partie définie d'une spécification complète associée à des prescriptions/règles et adaptée au transfert de données prévu.</p> <p>Een gedefinieerde subset van de gehele specificatie gecombineerd met voorschriften afgestemd op het bedoelde gebruik van de overdrachtsgegevens.</p> <p>De ENC produkt specificaties specificceert de inhoud, de structuur en andere verplichte aspecten van een ENC).</p>	2
(Radar) range	<p>Distance from the radar antenna. For inland navigation the radar range has to be sequential switchable according to the CCNR Radar Regulations.</p> <p>(Radar-)Bereich; Abstand von der Radar-Antenne. In der Binnenschifffahrt muss der (Radar-)Bereich sequentiell schaltbar entsprechend den ZKR-Radar-Vorschriften sein.</p> <p>Distance par rapport à l'aérien du radar ; pour la navigation intérieure, la portée doit être commutable de manière séquentielle conformément à la réglementation de la CCNR relative aux appareils radar.</p> <p>Afstand t.o.v. de radarantenne. Voor de binnenvaart de radar afstand moet ononderbroken geschakeld kunnen worden overeenkomstig de CCR radar voorschriften.</p>	9
Relative motion display	<p>A relative motion display shows the chart information, and radar targets, moving relatively to the vessel position fixed on the screen.</p> <p>Anzeige der relativen Bewegung; zeigt Karteninformation und Radarobjekte in relativer Bewegung zur Schiffsposition, die auf dem Bildschirm fixiert ist.</p> <p>Affichage du mouvement relatif ; affiche à l'écran en mouvement relatif des informations cartographiques et des objets détectés par le radar par rapport à la position du bateau présentée à l'écran.</p> <p>Weergave van de relatieve beweging; toont kaartinformatie en radarobjecten in relatieve beweging tot de scheepspositie, dat op het beeld is vastgelegd.</p>	2
Route planning	<p>An ECDIS function in which the area is displayed which is needed to study the intended route, to select the intended track, and to mark the track, its way points and navigational notes.</p> <p>Fahrtroutenplanung; ECDIS-Funktion, in der das Gebiet angezeigt wird, was benötigt wird um die vorgesehene Route zu studieren, die vorgesehene Fahrspur auszuwählen und zu markieren, ihre Meilensteine (Brechtunkte) und navigatorisch bedeutsame Bemerkungen.</p> <p>Planification de l'itinéraire ; une fonction ECDIS affichant le secteur requis pour l'étude de l'itinéraire, le choix du chenal et pour le marquage de la route, de ses repères et d'observations nautiques utiles.</p> <p>Route planning; een ECDIS functie waarin het gebied weergegeven wordt, dat nodig is om de geplande route te bestuderen, de geplande koers te kiezen en de way-points en de bemerkingen voor de navigatie te markeren.</p>	1
SCAMIN	<p>The minimum scale at which the feature may be used e.g. for ECDIS presentation.</p> <p>Der kleinste Maßstab, in dem ein Objekt in ECDIS angezeigt werden darf.</p> <p>La plus petite échelle avec laquelle l'affichage d'un objet est autorisé dans une représentation ECDIS.</p> <p>De kleinste schaal waarin een object in ECDIS aangegeven mag worden.</p>	3

Term or Abbreviation	Definition	Source
SENC	<p>System Electronic Navigational Chart: A data base resulting from the transformation of the ENC by ECDIS for appropriate use, updates to the ENC by appropriate means and other data added by the mariner. It is this data base that is actually accessed by the ECDIS for the display generation and other navigational functions. The SENC may also contain information from other sources.</p> <p>Herstellerspezifische Elektronische Schifffahrtskarte; Datenbank, die sich aus der Transformation von ENC durch ECDIS für eine geeignete Anwendung ergibt und die durch Aktualisierungen der ENCs mit geeigneten Mitteln und außerdem durch Daten des Schiffsführers ergänzt ist; Datenbank, auf die tatsächlich durch ECDIS für die Erzeugung der Darstellung und anderer nautischer Funktionen zugegriffen wird. SENC kann auch Informationen aus anderen Quellen enthalten.</p> <p>SCEN ; carte électronique pour la navigation intérieure configurée par le fabricant; une base de données résultant de la transformation de la CEN par le système ECDIS en vue d'une utilisation appropriée et complétée par l'actualisation des CEN par des moyens appropriés et par des données ajoutées par le batelier; base de données effectivement consultée par le système ECDIS pour l'élaboration des données affichées et pour d'autres fonctions nautiques. La SCEN peut aussi contenir des informations provenant d'autres sources.</p> <p>Door de fabrikant vervaardige elektronische kaart voor de binnenvaart. Databank die is gebaseerd op de vertaling van ENC naar ECDIS voor toegepast gebruik en die door actualisering van ENC en bovendien door gegevens van schippers vervolmaakt is. Juist deze informatie wordt gebruikt door ECDIS voor ontwikkeling, presentatie en voor andere nautische functionaliteiten. De SENC kan ook onderdelen uit andere informatiebronnen bevatten.</p>	2
Spatial object	<p>An object which contains locational information about real world entities.</p> <p>Räumliches Objekt; Objekt, das für die Geo-Referenzierung von Dingen in der realen Welt sorgt.</p> <p>Objet de localisation ; un objet contenant les informations locales relatives à des unités réelles.</p> <p>Ruimtelijk object; een object dat plaatselijk informatie over de werkelijkheid bevat.</p>	2
Standard display	<p>Standard Information Density means the default amount of SENC information that shall be visible when the chart is first displayed on ECDIS first.</p> <p>Standardanzeige, bedeutet den Standardumfang an SENC-Informationen, der zuerst sichtbar sein muss, wenn die Karte erstmalig in ECDIS angezeigt wird.</p> <p>Affichage standard ; la densité standard des informations de la SCEN devant être visibles en premier lors de l'affichage de la carte par le système ECDIS.</p> <p>Standaard weergave, betekent de omvang van de standaard van SENC informatie, die pas zichtbaar moet zijn wanneer de kaart in ECDIS ordt weergegeven.</p>	4.1
[Vessel] Tracking and Tracing	<p>The function of maintaining status information of the vessel and– if needed – combined with information on cargo and consignments [tracking] and the retrieving of information concerning the whereabouts of the vessel and – if needed – combined with information on cargo, consignments and equipment [tracing].</p> <p>(Schiffs)verfolgung und Aufspürung; die Aufgabe Statusinformationen über ein Schiff aufrecht zu erhalten – falls benötigt – in Verbindung mit Informationen über die Ladung und Sendungen [tracking] sowie die Aufgabe der Erkundung des Aufenthaltsortes des Schiffes und – falls benötigt – der Ladung, der Sendungen und der Ausrüstung [tracing].</p> <p>Repérage et suivi des bâtiments (VTT) ; la fonction de maintien de l'information relative au statut du bâtiment et, si nécessaire, de l'information relative à la cargaison, l'envoi [tracking] et l'obtention d'information relative à la localisation du bâtiment et, si nécessaire, de l'information relative à sa cargaison, l'envoi et l'équipement [tracing]</p> <p>Tracking and Tracing van schepen; de functie van onderhouden status informatie van het schip en indien noodzakelijk gecombineerd met informatie over lading en verzending [tracking] en het herstel van informatie betreffende de verblijfplaats van een schip en indien noodzakelijk gecombineerd met informatie over lading, zendingen en uitrusting [tracing].</p>	10

Term or Abbreviation	Definition	Source
True motion display	<p>A display in which the own vessel and each radar target moves with its own true motion, while the position of all charted information remains fixed.</p> <p>Anzeige der absoluten Bewegung; eine Anzeige, in der sich das eigene Schiff und jedes Radarziel mit seiner eigenen wirklichen Bewegung fortbewegt, während die Positionen aller kartierten Informationen fixiert bleiben.</p> <p>Affichage du mouvement réel ; un affichage présentant le propre bateau et tout autre cible radar en mouvement réel tandis que la position de toutes les autres informations cartographique demeure fixe.</p> <p>Weergave van ware beweging; een weergave waarin het eigen schip en alle radar doelen bewegen met hun eigen werkelijke snelheid, terwijl de positie van de kaartinfo vast wordt weergegeven.</p>	2
User-defined settings	<p>Means the possibility to use and store a profile of display and operation controls-settings.</p> <p>Benutzerdefinierte Einstellungen; Möglichkeit, ein Profil von Anzeige- und Betriebseinstellungen zu verwenden und zu speichern.</p> <p>Configuration par l'utilisateur ; la possibilité d'utiliser et d'enregistrer une configuration donnée pour les paramètres d'affichage et de fonctionnement.</p> <p>Voor de gebruiker gedefinieerde instellingen; betekent de mogelijkheid om een profiel van weergave en gebruiksinstellingen te gebruiken en vast te leggen.</p>	4.1
VRM	<p>Variable Range Marker.</p> <p>Variabler Entfernungsmessring.</p> <p>Cercle variable de mesure des distances.</p> <p>Variabele afstandsmeetring.</p>	4.5
WGS 84	<p>WORLD GEODETIC SYSTEM: The geodetic basis for the „Navigational Satellite Timing and Ranging - Global Positioning System“ (NAVSTAR-GPS), which enables the surveying of the earth and its entities and was developed by the United States Department of Defense. This global geodetic reference system is recommended by IHO for hydrographic and cartographic use.</p> <p>Weltweites Geodätisches System; die geodätische Basis für das Navigational Satellite Timing and Ranging - Global Positioning System“ (NAVSTAR-GPS), das die Vermessung der Erde und ihrer Dinge ermöglicht und das vom Verteidigungsministerium der USA entwickelt wurde. Dieses globale geodätische Referenzsystem wird von der IHO empfohlen für den hydrografischen und kartografischen Gebrauch.</p> <p>Système géodésique mondial ; La base géodésique pour le "Navigational Satellite Timing and Ranging - Global Positioning System“ (NAVSTAR-GPS), permettant une surveillance de la terre et de ses entités, développé par le Département de la défense des USA. Cette système géodésique global de référence est recommandé par l'OHI pour un usage hydrographique et cartographique.</p> <p>Wereldwijd geodatisch systeem; de geodatische basis voor de „Navigational Satellite Timing and Ranging - Global Positioning System“ (NAVSTAR-GPS), dat het mogelijk maakt de aarde en haar entiteiten te onderzoeken en dat was ontwikkeld door de USA (defensie). Dit wereldomvattende geodatische referentiesysteem wordt aanbevolen door de IHO voor hydrografisch en kartografisch gebruik.</p>	6