



ERI Guide Part III

Annex III

**Message Implementation Guideline
Crew and Passenger List**

Version 1.0



Table of content

- 1. UN/EDIFACT standard message PAXLST 3**
 - 1.1 Functional definition 3
- 2. Message structure: 5**
 - 2.1 Branching Diagram 5
 - 2.2 SEGMENT Table 6
 - 2.3 The "Crew / Passenger List" message format for Electronic Port Clearance is as follows: 7



1. UN/EDIFACT standard message PAXLST

The crew respectively passenger list notification is based on the UN/EDIFACT message PAXLST.

1.1 Functional definition

Where national privacy legislation permits, and with the agreement of all parties involved, this Passenger / Crew List message (PAXLST) permits the transfer of passenger/crew data. The message may be exchanged between Captain/Skipper or Carrier (such as inland waterway operators) and Customs, Immigration, Police, ISPS Terminals or any designated authorities. Where permitted and with the agreement of all parties, the message can also be used to transfer passenger / crew data from a Customs, Immigration or other designated authority in the country of departure to the appropriate authorities in the country of arrival of the means of transport. The availability of passenger and crew information is especially important whenever search and rescue operations need to be carried out. So for calamity abatement purposes the availability of passenger and crew lists is crucial. The transfer of data may occur prior to arrival of the vessel at the place where controls may take place. This is to permit the designated authority at the place of destination to screen this data and take timely decisions related to the clearance of passengers and crew e.g. pre-arrival clearance.

1.2 Field of application

The Passenger list message may be used for both national and international applications. It is based on universal practice related to administration, commerce and transport, and is not dependent on the type of business or industry. The message may be applied for international passenger movement and is not dependent on the mode of transport. The basic concept of the PAXLST message is that there is one message for all crew members for a specified ship on a specified voyage, and another message for the passengers on that voyage whilst also possible stowaways can be reported through a separate message. The messages may be transmitted separately or combined into one transmission.

2 In accordance with IMO FAL Form 5 Crew list authorities should not require more than the following information:

1. Name and nationality of ship (country / area of registration)
2. Family name
3. Given names
4. Nationality
5. Rank or rating
6. date and place of birth
7. Nature and number of identity document
8. Port and date of arrival
9. Arriving from



In accordance with the requirements of the competent authorities in inland shipping the following information is also important in connection with safety and control:

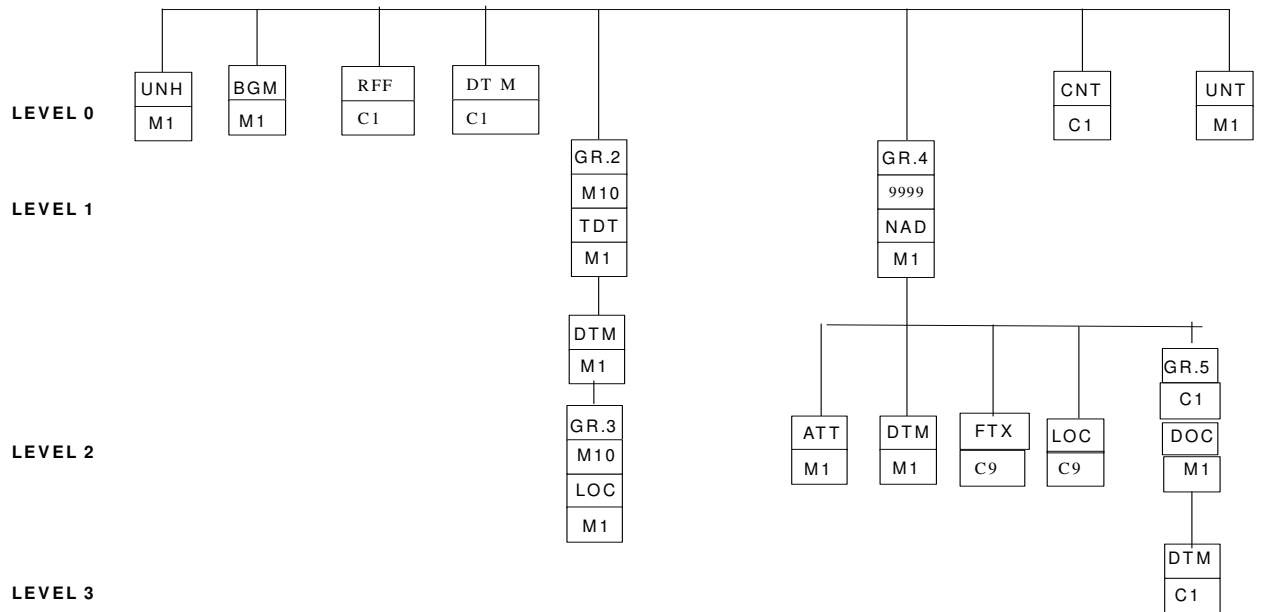
Visitors to a vessel required are names, licence plates of the vehicles, the exact place and time of boarding and going ashore, required services such as deliveries, stores and spares, repair people together with company name, changes of crew, children of the crew, all these various details may be exchanged through the PAXLST message.



2. Message structure:

The structure for implementation of the crew or passenger list notification message is as follows:

2.1 Branching Diagram





2.2 Segment Table

Tag Name	S	R	ERI
UNH Message header	M	1	M 1
BGM Beginning of message	M	1	M 1
RFF Reference	C	1	C 1
DTM Date/time/period	C	9	C 1
..... Segment group 2	M	10	M 1
TDT Details of transport	M	1	M 1
DTM Date/time/period	M	1	M 1
..... Segment group 3	C	99	M 10
LOC Place/location identification	M	1	M 1
..... Segment group 4	C	99999	C 9999
NAD Name and address	M	1	M 1
ATT Attribute	C	9	M 1
DTM Date/time/period	C	9	M 1
FTX Free text	C	99	C 9
LOC Place/location identification	C	25	C 9
..... Segment group 5	C	5	C 1
DOC Document/message details	M	1	M 1
DTM Date/time/period	C	1	C 1
CNT Control total	C	1	C 1
AUT Authentication result	C	1	C 1
UNT Message trailer	M	1	M 1

It is possible to transmit up to three messages dealing with one voyage and one means of transport.

The three messages being:

- crew list
- passenger list
- stowaway list



2.3 The "Crew / Passenger List" message format for Electronic Port Clearance is as follows:

Segmen Group	Segment Composite data element (C) Data element TAG	Level	Mandatory Conditionnal	Format	Names	Description Qualifiers in notation marks
1	2	3	4	5	6	7
	UNA	0	C		Service String Advice	
			M	an1	Component data element Separator	:
			M	an1	Segment Tag and Data element separator	+
			M	an1	Decimal Notation	.
			M	an1	Release indicator	?
			M	an1	Reserved future use	space
			M	an1	Segment terminator	'
					Advised string: UNA:+.?'	6 characters
	UNB	0	M		Interchange header	
	S001		M		SYNTAX IDENTIFIER	
	0001		M	a4	Syntax identifier	"UNOC" Controlling agency
	0002		M	n1	Syntax version number	"2"
	S002		M		INTERCHANGE SENDER	
	0004		M	an..35 (an25)	Sender identification	Mailbox number or unique name
	0007			an..4	Partner identification code qualifier	n.a.
	0008			an..14	Address for reverse routing	n.a.
	S003		M		INTERCHANGE RECIPIENT	
	0010		M	an..35 (an25)	Recipient identification	Mailbox number or unique name
	0007		C	an..4	Partner identification code qualifier	n.a.
	0014		C	an..14	Routing address	n.a.
	S004		M		DATE / TIME OF PREPARATION	
	0017		M	n6	Date	Generation date, YYMMDD
	0019		M	n4	Time	Generation time, HHMM
	0020		M	an..14	Interchange reference identification.	First 14 positions of the message reference number.
	S005		C		RECIPIENTS REFERENCE, PASSWORD	n.a



Segmen Group	Segment Composite data element (C) Data element TAG	Level	Mandatory Conditionaal	Format	Names	Description Qualifiers in notation marks
1	2	3	4	5	6	7
	0022			an..14	Recipient's reference / password	n.a.
	0025			an2	Recipient's reference, password qualifier	n.a.
	0026				an..14	Application reference
	0029				a1	Processing priority code
	0031		C	C	n1	Acknowledgement request
	0032				an..35	Communications agreement id
	0035			C	n1	Test indicator
	UNH		M		MESSAGE HEADER	Identification, specification and heading of a message
	0062		M	an..14	Message reference number	First 14 positions of the message number.
	S009		M		MESSAGE IDENTIFIER	Message identification
	0065		M	an..6	Message type	"PAXLST", message type
	0052		M	an..3	Message version number	"D", message version number
	0054		M	an..3	Message release number	"05A", message release number
	0051		M	an..2	Controlling agency	"UN", controlling agency
	0057		M	an..6	Association assigned code	"ERI10", association assigned code
	0068			an..35	Common access reference	Common Access reference Reference to all messages related to one common file
	S010				STATUS OF THE TRANSFER	Transfer status
	0070			n..2	Sequence of transfers	n.a.
	0073			a1	First and last transfer	n.a.



Segmen Group	Segment Composite data element (C) Data element TAG	Level	Mandatory Conditionaal	Format	Names	Description Qualifiers in notation marks
1	2	3	4	5	6	7
	BGM	0	M		DOCUMENT / MESSAGE NAME	Identification of the type and function of the message
	C002				Document / message name code	Message name
	1001		M	an..3	Code list qualifier	Message type: "250" crew list "745" passenger list "10" stowaway list
	1131			an..17	Code list responsible agency	n.a.
	3055			an..3	Document / message name	n.a.
	1000		M	an..35	DOCUMENT / MESSAGE IDENTIFICATION	Document name: "CREW LIST" "PASSENGER LIST" "STOWAWAY LIST" (one PAXLST contains one document)
	1004		C	an..35	Document identifier	(an14) message reference number.
	1056			an..9	Version	version identifier
	1060			an..6	Revision number	revision identifier
	1225		C	an..3	Message function code	message function code, "9" = new message, "5" = modification message
	4343			an..3	Response type code	n.a.
	RFF	0	C		REFERENCE	Reference to the message which is changed, mandatory if the message is a modification message
	C506		M		REFERENCE	Reference
	1153		M	an..3	Reference qualifier	"ACW"
	1154		M	an..35	Reference number	(an14) message reference number of the BGM, tag 1004 of the message the current message refers to
	1156			an..6	Line number	n.a.
	4000			an..35	Reference version number	n.a.
	1060			an..35	Revision number	n.a.



Segmen Group	Segment Composite data element (C) Data element TAG	Level	Mandatory Conditionaal	Format	Names	Description Qualifiers in notation marks
1	2	3	4	5	6	7
	DTM	0	M		DATE / TIME / PERIOD	
	C507		M		DATE / TIME / PERIOD	Date / Time / Period
	2005		M	an..3	Date or time or period function code qualifier	"184" Notification date
	2380		M	an..35	Date or time period value	Time: CCYYMMDD
	2379		M	an..3	Date or time or period format code	"102"



Segmen Group	Segment Composite data element (C) Data element TAG	Level	Mandatory Conditionaal	Format	Names	Description Qualifiers in notation marks
1	2	3	4	5	6	7
	TDT	0	M		Specification of the means of transport	Specification of the means of transport, the naming vessel within a convoy (a single vessel without barge is also a convoy in this context)
	8051		M	an..3	"20" (main transport)	Transport stage code qualifier
	8028			an..17	Conveyance reference number	Voyage number, defined by sender of the message
	C220				Transport modality	
	8067			an..3	Mode of transport, coded	"8" for Inland water transport", "1" for maritime transport (see UN/ECE Rec. 19)
	8066			an..17	n.a.	
	C228				Type of means of transport identification, convoy type	Code for ship and convoy types of means of transport from UN/CEFACT Rec. 28, see Part 4, Section 5, Section 5 No. 1
	8179			an..8	n.a.	
	8178			an..17	n.a.	
	C040				Carrier	
	3127			an..17	n.a.	
	1131			an..17	n.a.	
	3055			an..3	n.a.	
	3128			an..35	n.a.	
	8101			an..3	n.a.	
	C401				Additional transport information	
	8457			an..3	n.a.	
	8459			an..3	n.a.	
	7130			an..17	n.a.	
	C222				Transport identification	
	8213		M	an..9	ID. of means of transport identification	Vessel number : 7 digits for OFS or IMO indication, 8 digits for ERN indication and unique European vessel identification number
	1131			an..17	Code list qualifier	"OFS" for a Official Ship



Segmen Group	Segment Composite data element (C) Data element TAG	Level	Mandatory Conditionaal	Format	Names	Description Qualifiers in notation marks
1	2	3	4	5	6	7
						Number of CCNR system, see Part 4, Section 5, Section 5, No. 2 "IMO" for an IMO-number, see Part 4, Section 5, No. 3 "ERN" for all other ships (Electronic Reporting International Number), see Part 4, Section 5, , No. 4 "ENI" for a unique European vessel identification number, see Part 4, Section 5, , no 5
	3055			an..3	n.a.	
	8212		M	an..35	Name of the vessel	Name of the ship; If the name results in more than 35 positions, the name of the vessel is shortened
	8453		D	an..3	(an2) Nationality, ISO 3166 country code	ISO two-alpha country code 3166-1, see Part 4, Section 5, No. 12 Dependency note If the nationality of the Inland vessel is not available the code for the country or area of registration should be stated here in line with the ENI number specifications
	8281			an..3	n.a.	
TDT	DTM	1	M	TDT(20)	Estimated time of arrival / departure	
	C507				Date / time / period	
	2005		M	an..3	Date or time or period function code qualifier	"132" for arrival "133" for departure
	2380		M	an..35	Date or time period value	Given in the local time of the place of arrival
	2379		M	an..3	Date or time or period format code	"203" for CCYYMMDDHHMM



Segmen Group	Segment Composite data element (C) Data element TAG	Level	Mandatory Conditionaal	Format	Names	Description Qualifiers in notation marks
1	2	3	4	5	6	7
TDT	LOC	1	M		PLACE/LOCATION IDENTIFICATION	Port of departure , the port where the transport starts
	3227		M	an..3	Place / location qualifier	"5" place of departure
	C517		M		LOCATION IDENTIFICATION	
	3225		M	an..25 (an5)	Place / location identification	UN/ECE Location code (Rec. 16), see Part 4, Section 5, No. 13
	1131			an..3	Code list qualifier	n.a.
	3055			an..3	Code list responsible agency	n.a.
	3224		C	an..70 (an..17)	Place / location	Full name of the port location
	C519		C		RELATED LOCATION ONE IDENTIFICATION	
	3223		M	an..25 (an..5)	Related place / location one identification	Terminal code, see Part 4, Section 5, No. 15
	1131			an..3	Code list qualifier	n.a.
	3055			an..3	Code list responsible agency	n.a.
	3222			an..70	Related place / location one	Full name of the terminal.
	C553		C		RELATED LOCATION TWO IDENTIFICATION	
	3233		M	an..25 (an5)	Related place / location two identification	Fairway section code, see Part 4, Section 5, No. 14
	1131			an..3	Code list qualifier	
	3055			an..3	Code list responsible agency	n.a.
	3232		C	an..70 (an..5)	Related place / location two	Fairway section hectometre
	5479			an..3	Relation	n.a.



Segmen Group	Segment Composite data element (C) Data element TAG	Level	Mandatory Conditionaal	Format	Names	Description Qualifiers in notation marks
1	2	3	4	5	6	7
TDT	LOC	1	M		PLACE/LOCATION IDENTIFICATION	Last Port of call
	3227		M	an..3	Place / location qualifier	"125"
	C517		M		LOCATION IDENTIFICATION	
	3225		M	an..25 (an5)	Place / location identification	UN/ECE Location code (Rec. 16), see Part 4, Section 5, No. 13
	1131			an..3	Code list qualifier	n.a.
	3055			an..3	Code list responsible agency	n.a.
	3224		C	an..70 (an..17)	Place / location	Full name of the port location
	C519		C		RELATED LOCATION ONE IDENTIFICATION	
	3223		M	an..25 (an..5)	Related place / location one identification	Terminal code, see Part 4, Section 5, No. 15
	1131			an..3	Code list qualifier	n.a.
	3055			an..3	Code list responsible agency	n.a.
	3222			an..70	Related place / location one	Full name of the terminal.
	C553		C		RELATED LOCATION TWO IDENTIFICATION	
	3233		M	an..25 (an5)	Related place / location two identification	Fairway section code, see Part 4, Section 5, No. 14
	1131			an..3	Code list qualifier	
	3055			an..3	Code list responsible agency	n.a.
	3232		C	an..70 (an..5)	Related place / location two	Fairway section hectometre
	5479			an..3	Relation	n.a.



Segmen Group	Segment Composite data element (C) Data element TAG	Level	Mandatory Conditionaal	Format	Names	Description Qualifiers in notation marks
1	2	3	4	5	6	7
TDT	LOC	1	M		PLACE/LOCATION IDENTIFICATION	Port of arrival
	3227		M	an..3	Place / location qualifier	"60"
	C517		M		LOCATION IDENTIFICATION	
	3225		M	an..25 (an5)	Place / location identification	UN/ECE Location code (Rec. 16), see Part 4, Section 5, No. 13
	1131			an..3	Code list qualifier	n.a.
	3055			an..3	Code list responsible agency	n.a.
	3224		C	an..70 (an..17)	Place / location	Full name of the port location
	C519		C		RELATED LOCATION ONE IDENTIFICATION	
	3223		M	an..25 (an..5)	Related place / location one identification	Terminal code, see Part 4, Section 5, No. 15
	1131			an..3	Code list qualifier	n.a.
	3055			an..3	Code list responsible agency	n.a.
	3222			an..70	Related place / location one	Full name of the terminal.
	C553		C		RELATED LOCATION TWO IDENTIFICATION	
	3233		M	an..25 (an5)	Related place / location two identification	Fairway section code, see Part 4, Section 5, No. 14
	1131			an..3	Code list qualifier	
	3055			an..3	Code list responsible agency	n.a.
	3232		C	an..70 (an..5)	Related place / location two	Fairway section hectometre
	5479			an..3	Relation	n.a.



Segmen Group	Segment Composite data element (C) Data element TAG	Level	Mandatory Conditionaal	Format	Names	Description Qualifiers in notation marks
1	2	3	4	5	6	7
	NAD	0	M		NAME and ADDRESS	Name and address details of person
	3035		M	an..3	Party function code qualifier	Name type: "FM" for crew member "FL" for passenger "BV" for stowaway persons
	C082		C		PARTY IDENTIFICATION DETAILS	Name indentification
	3039			an..35	Party identification	Code or textual description of the relation
	1131			an..17	Code list qualifier	n.a.
	3055			an..3	Code list responsible agency	n.a.
	C058		M		NAME AND ADDRESS	n.a.
	3124		M	an..35	Name and address line	Family Name
	3124		M	an..35	Name and address line	Given Names
	3124		C	an..35	Name and address line	Prefix (Gender)
	3124			an..35	Name and address line	n.a.
	3124			an..35	Name and address line	n.a.
	C080		C		PARTY NAME	
	3036			an..35	Party name	n.a.
	3036			an..35	Party name	n.a.
	3036			an..35	Party name	n.a.
	3036			an..35	Party name	n.a.
	3036			an..35	Party name	n.a.
	3045			an..3	Party name format, coded	n.a.
	C059		C		STREET	
	3042		C	an..35	Street and number / p.o. box	Street and number or post office box
	3042			an..35	Street and number / p.o. box	n.a.
	3042			an..35	Street and number / p.o. box	n.a.
	3042			an..35	Street and number / p.o. box	n.a.
	3164		C	an..35	City name	City
	C819		C		Country sub-entity identification	n.a.
	3229		C	an..9	postcode identification	Postal identification code
	1131		C	an..17	country	ISO 3166-1 two alpha country code, see Part 4, Section 5, No.12
	3055			an..3	n.a.	



Segmen Group	Segment Composite data element (C) Data element TAG	Level	Mandatory Conditionaal	Format	Names	Description Qualifiers in notation marks
1	2	3	4	5	6	7
	3228			an..70	n.a.	
	3251		C	an..17	postal code	
	3207		M	an..3	(an2) nationality, ISO3166 country code	
	ATT		C	NAD	Rank / title	Rank / title
	9017		M	an..3	Attribute function qualifier	5" Professional Title "1" Crewmember
	C955		C		Attribute type	
	9021			an..17	Attribute type, coded	
	1131			an..17	n.a.	
	3055			an..3	n.a.	
	9020			an..70	n.a.	
	C956		C		Attribute detail	
	9019			an..17	n.a.	
	1131			an..17	n.a.	
	3055			an..3	n.a.	
	9018		M	an..256	Attribute detail	Rank/title name e.g. Chief officer /
NAD	DTM	1	M	NAD	DATE / TIME / PERIOD	Date of birth
	C507				Date / time / period	Date / time / period
	2005		M	an..3	Date or time or period function code qualifier	"329"
	2380		M	an..35	Date or time period value	Date: CCYYMMDD
	2379		M	an..3	Date or time or period format code	"102"



Segmen Group	Segment Composite data element (C) Data element TAG	Level	Mandatory Conditionaal	Format	Names	Description Qualifiers in notation marks
1	2	3	4	5	6	7
NAD	FTX	1	C	NAD	Free text	General Infomration
	4451		M	an..3	Text subject qualifier	Text subject type "AAI" General Information
	4453			an..3	Text function, coded	
	C107		C		Text reference	
	4441		M	an..17	Free text, coded	Call information related to boarding of persons. General information on the call of the vessel
	1131			an..17	Code list qualifier	
	3055			an..3	Code list responsible agency, coded	
	C108		C		Text literal	
	4440		C	an..512	Free text	License number vehicle
	4440		C	an..512	Free text	Visitor
	4440			an..512	Free text	Company Name of service provider and other details
	4440			an..512	Free text	Names and duration of visit of the visiting children
	4440			an..512	Free text	
	3453			an..3	Language, coded.	
	4447			an..3	Text formatting, coded	
NAD	LOC		M	NAD	PLACE/LOCATION IDENTIFICATION	Place of birth
	3227		M	an..3	Place / location qualifier	"180"
	C517				LOCATION IDENTIFICATION	
	3225		C	an..25	Place / location identification	ISO 3166-1 two alpha country code, see Part 4, Section 5, No.12
	1131			an..17	Code list qualifier	
	3055			an..3	Code list responsible agency	
	3224		M	an..256	Place / location	place of birth
	C519		C		RELATED LOCATION ONE IDENTIFICATION	
	3223			an..25	Related place / location one identification	
	1131			an..17	Code list qualifier	



Segmen Group	Segment Composite data element (C) Data element TAG	Level	Mandatory Conditionaonal	Format	Names	Description Qualifiers in notation marks
1	2	3	4	5	6	7
	3055			an..3	Code list responsible agency	
	3222			an..70	Related place / location one	
	C553				RELATED LOCATION TWO IDENTIFICATION	
	3233			an..25	Related place / location two identification	
	1131			an..17	Code list qualifier	
	3055			an..3	Code list responsible agency	
	3232			an..70	Related place / location two	
	5479			an..3	Relation	
NAD	DOC	1	M	NAD	Travel document details	Travel document details
	C002		M		Document / message name	Document / message name
	1001		M	n..3	Document/message name, coded	Document type: "39" Passport "36" Identity card "SMB" Seamansbook
	1131			an..17	Code list qualifier	
	3055			an..3	Code list responsible agency, coded	
	1000			an..35	Document name	
	C503				Document / message details	
	1004		M	an..35	Document/message number	Document identifier
	1373			an..3	Document/message status, coded	
	1366			an..70	Document/message source.	
	3453			an..3	Language, coded	
	1056			an..9	Version	
	1060			an..6	Revision number	
	3153			an..3	Communication channel identifier, coded	
	1220			n..2	Number of copies of document required	
	1218			n..2	Number of originals of document required	



Segmen Group	Segment Composite data element (C) Data element TAG	Level	Mandatory Conditionaal	Format	Names	Description Qualifiers in notation marks
1	2	3	4	5	6	7
DOC	DTM	2	C	DOC	DATE / TIME / PERIOD	Expiration date
	C507				Date / time / period	Date / time / period
	2005		M	an..3	Date or time or period function code qualifier	"192"
	2380		M	an..35	Date or time period value	Date: YYMMDD
	2379		M	an..3	Date or time or period format code	"101"
	AUT	0	C		Authentication result	Authentication result
	9280		M	an..35	validation result value	validation result value
	9282		C	an..35	validation key identifier	validation key identifier
	UNT	0	M		End and control of completeness of the message	
	0074		M	n..6	number of segments in the message	
	0062		M	an..14	First 14 positions of the message reference number	
	UNZ		M		INTERCHANGE TRAILER	End and control of the interchange
	0036		M	n..6	Interchange control count	"1" for number of messages contained in the interchange
	0020		M	an..14	Interchange control reference	First 14 positions of the message reference number

